

CLUSTER **B2 FC**



- 2 x 300W Full Color
- RGBA + Warm White LED's
- Up to 20.000 luminous flux
- C-Lok Cluster System
- Magnetic Pre-Link system

All CLUSTER products can be easily connected both horizontal and vertically, by using the integrated C-Lok system. The series is made to enable toolless multiple array configurations, scalable from a single vertical line, to massive matrix like arrays. Due IP65 rating all products are outdoor ready and protected from ingress of dust and rain. There are several mounting options – Camlock mounts on top and back enable the use of Omega-Brackets, Yokes can be attached to mounting points on all sides, or the internal C-Lok system can be used for seamless inter-connection. Pre-Link Magnets on top and side help to align the fixtures, giving an incredible user-friendly operation and save interlocking. A specially designed rigging bracket is used for seamless connection of multiple Blinders, to avoid gaps due to bracing of the truss structure by variable, sliding mounting positions. Floor extensions can be used to create vertical structures in single or double rows.

The Full Color version reproduces the same look by using it's warmwhite LED's in combination with RGB and Amber, plus the full range of user adjustable color mixing and tunable white.



Accessories



Yoke 4.1
(Included)



Yoke 2.2
(Optional)



Yoke 4.3
(Optional)



Omega Bracket



Floor Extension



Rigging Bracket



Cases

Technical Data

Photometrics

LED expected lifetime	50.000 hours
Lightsource	2x 300W Red, Green, Royal Blue, Amber, Warm-White
Type of optical system	Reflector with Compound Eye Lens
LED PWM Frequency	selectable 800Hz, 1.200Hz, 2.000Hz, 3.600Hz, 12kHz, 25kHz
Beam angles (50%)	50°
Maximum Field angles (10%)	87°
Color temperature range	2000-10.000K
CRI/Ra	90 @ 5600K / 86 @ 2900K
Efficacy (max)	26,15 lm/W
Luminous flux	16.215 lm
illuminance Lux @ 1m / 3,3ft (@ 2900K)	17.801lx / 1654fcd
illuminance Lux @ 3m / 9,8ft (@ 2900K)	1920lx / 178fcd
illuminance Lux @ 5m / 16,4ft (@ 2900K)	721lx / 67fcd
illuminance Lux @ 7m / 23,0ft (@ 2900K)	398lx / 37fcd
illuminance Lux @ 10m / 32,8ft (@ 2900K)	199lx / 18fcd

Thermal Characteristics

Cooling	Active, Forced Air, Temperature-regulated
Humidity (max.)	95%
Temperature range, Operating	-40°C to 45°C
Temperature range, Start-up	-20° to 45°C
Temperature range, Storage	-40°C to 80°C
Thermal Protection	Automatic overtemperature protection

Electrical Data

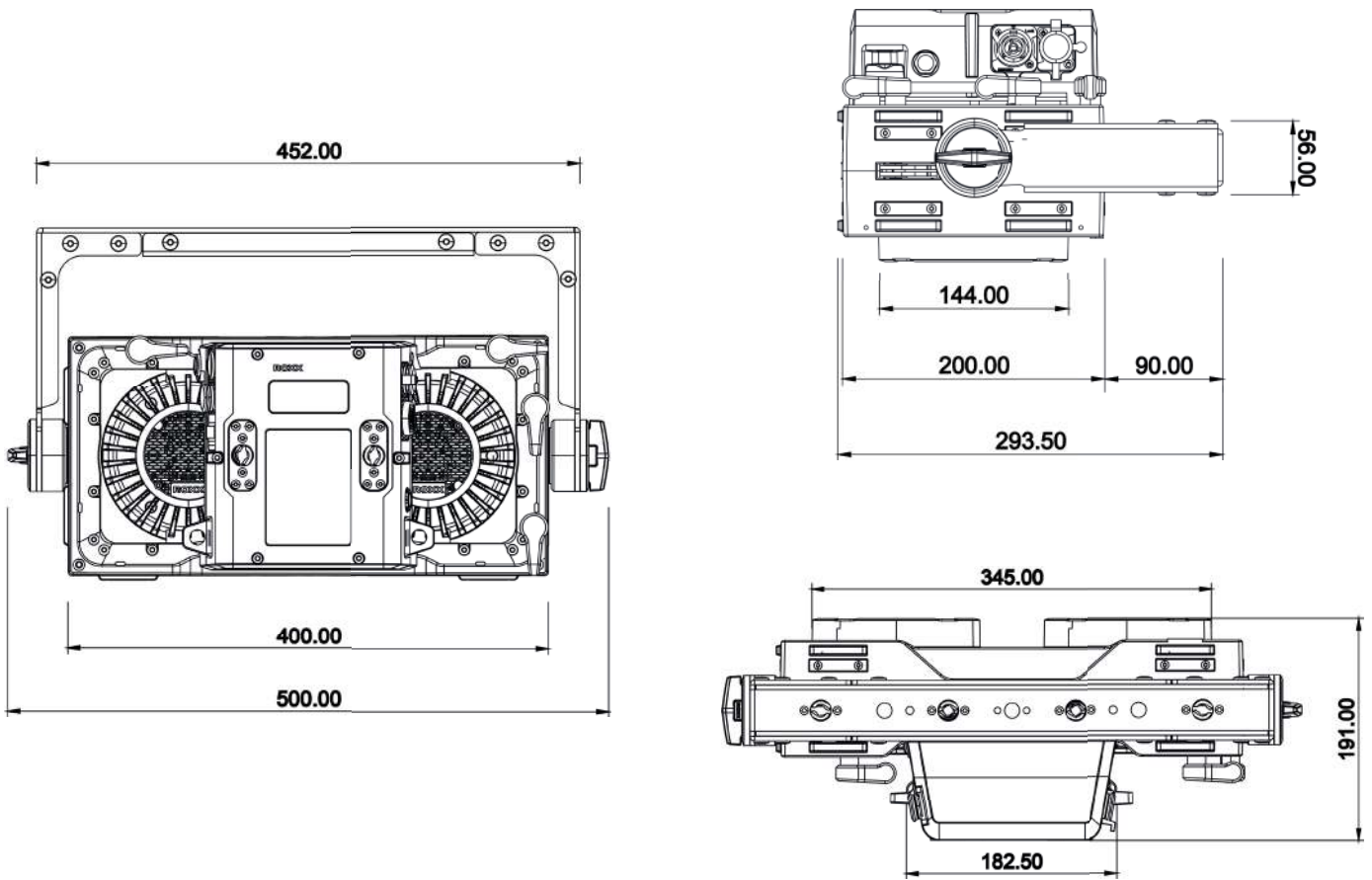
AC Power, max	90 – 285V 50/60Hz
AC Power, nominal	100 – 240V 50/60Hz
Electrical protection	Overload protection with automatic recover
Max power consumption (Boost Mode)	620W
Constant power consumption (Illumination Mode)	220W
Power Max. Out	13A @ 230V / 9A @ 120V
Power Linking @ Max Power Consumption (Boost Mode)	4 units @ 230V / 1 unit @ 120V
Power Linking @ Constant Power Consumption (Illumination Mode)	15 units @ 230V / 6 units @ 120V
Power Factor	0.974 PF (230V) / 0.996 PF (120V)
Power Supply Unit	Inbuilt auto-ranging electronic switch-mode

Operator & Controller

DMX Functions	Master Dimmer, Master Dimmer Fine, Shutter, Duration, Dimmer 1-2, Dimmer 1-2 Fine, Red 1-2, Red 1-2 Fine, Green 1-2, Blue 1-2, Blue Fine 1-2, Amber 1-2, Warm-White 1-2, CTC 1-2, Tint 1-2, Color Macro 1-2, Color Macro Crossfade 1-2, Dimmer Curve, Dimmer Response, Redshift, Effect, Device Settings
DMX channels	1CH DWE, 2CH DWE, 4CH DWE, 9CH DWE+, 6CH STROBE, 6CH RGB, 10CH BASIC RGB, 14CH BASIC RGB, 13CH STANDARD RGB (default), 22CH STANDARD RGB, 24CH EXTENDED RGB, 33CH EXTENDED RGB, 10CH DIRECT, 12CH DIRECT, 17CH DIRECT, 24CH DIRECT, 41CH DIRECT
DMX modes	17
Protocol	USITT DMX512A RDM ANSI E1.20
Setting and addressing	OLED graphical display / 4 controls RDM ANSI E1.20

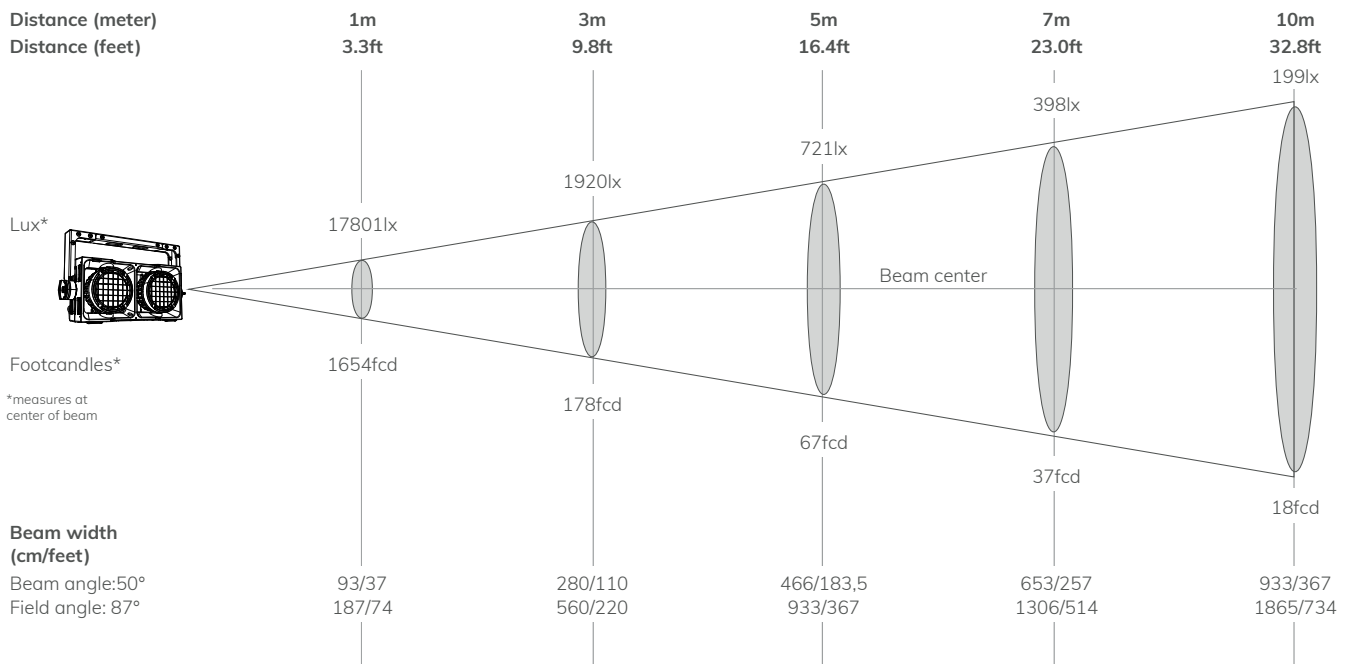
Operator & Controller	
Standalone mode	Auto Program, Color Macro, Quick Color, Tunable White, User Color
Wireless DMX	n.a.
Indicator	OLED graphical display
Controls	4 touch sensitive, backlighted controls
Strobe	0-20Hz
DMX I/O	IP65 XLR 5-pin male/female
Power In	TRUE1 compatible input & link-thru sockets
USB Firmware Update	IP65 USB socket
Dimensions & Weight	
IP class	IP65
IK class	IK08
Body material	Aluminum, Nylon
Lens material	Tempered glass front
Net dimensions (w x h x d)	400 x 200 x 191mm
Net dimensions inches	15,75 x 7,87 x 7,52 inches
Net weight (incl. Yoke)	10,5 kg (23,15lbs)
Tilt	360°
Tilt Locking System	Locking system with toothing and angle indicator
Included / Optional	
Included items	Yoke 4.1, 2m Power Cable, Puk
Optional Accessories	Yoke 2.2, Yoke 4.3, Yoke Floor Extension, Rigging Bracket, Omega Bracket ST
Color options	Black – RAL 9004 (Standard) Custom color – any RAL (on request)
Installation	
Mounting point on fixture	3x 13mm / 1/2" holes, 1x centric TV Spigot attachment, 3x integrated Camlocks for Omega Brackets
Mounting point by optional Yoke	1/4 turn Omega Bracket on top and rear side
Orientation	2x 13mm / 1/2" holes for Clamp fixation
Rigging possibilities	Any
Safety features	Hanging or ceiling / pendant mount
Minimum distance from flammable materials	2x rear mount for safety wire 0,3 meters (11,8 inch)

Technical Drawing



Luminaire Photometrics

B2 FC



Order Number

CLUSTER	Order Number
B4 W	13204001
B2 W	13202001
B4 FC	13204101
Accessories	Order Number
Yoke 2.2	13907001
Yoke 4.1	13907601
Yoke 4.3	13907101

Accessories	Order Number
Floor Extension	13907201
Rigging Bracket	13907411
Case 4 pcs. / 8 pcs.	13907411
Case 2 pcs / 4 pcs.	13907511
Omega Bracket	90900002

Further Versions



CLUSTER B4 W



CLUSTER B2 W



CLUSTER B4 FC

