



E-FLY™

user manual

©2015 ELATION PROFESSIONAL all rights reserved. Information, specifications, diagrams, images, and instructions herein are subject to change without notice. ELATION PROFESSIONAL logo and identifying product names and numbers herein are trademarks of ELATION PROFESSIONAL. Copyright protection claimed includes all forms and matters of copyrightable materials and information now allowed by statutory or judicial law or hereinafter granted. Product names used in this document may be trademarks or registered trademarks of their respective companies and are hereby acknowledged. All non-ELATION brands and product names are trademarks or registered trademarks of their respective companies.

ELATION PROFESSIONAL and all affiliated companies hereby disclaim any and all liabilities for property, equipment, building, and electrical damages, injuries to any persons, and direct or indirect economic loss associated with the use or reliance of any information contained within this document, and/or as a result of the improper, unsafe, insufficient and negligent assembly, installation, rigging, and operation of this product.

Elation Professional USA | 6122 S. Eastern Ave. | Los Angeles, CA. 90040
323-582-3322 | 323-832-9142 fax | www.elationlighting.com | info@elationlighting.com

Elation Professional B.V. | Junostraat 2 | 6468 EW Kerkrade, The Netherlands
+31 45 546 85 66 | +31 45 546 85 96 fax | www.elationlighting.eu | info@elationlighting.eu

DOCUMENT VERSION



Please check www.elationlighting.com for the latest revision/update of this manual.

Date	Document Version	Notes
8/24/15	1	Removed wireless address channel #15.

CONTENTS

General Information	4
Warranty	6
Safety Guidelines	7
Battery Precautions	8
Overview	9
Installation	10
Operation	11
Set Up	13
Technical Specifications	15
Optional Accessories	16
Notes	17

GENERAL INFORMATION

INTRODUCTION

This wireless DMX transceiver (transmitter/receiver) device has been designed to perform reliably for years when the guidelines in this booklet are followed. Please read and understand the instructions in this manual carefully and thoroughly before attempting to operate this device. These instructions contain important information regarding safety during use and maintenance.

UNPACKING

Every device has been thoroughly tested and has been shipped in perfect operating condition. Carefully check the shipping carton for damage that may have occurred during shipping. If the carton appears to be damaged, carefully inspect your device for damage and be sure all accessories necessary to operate the device have arrived intact. In the event damage has been found or parts are missing, please contact our customer support team for further instructions. Please do not return this device to your dealer without first contacting customer support at the number listed below. Please do not discard the shipping carton in the trash. Please recycle whenever possible.

BOX CONTENTS

- (1) 12V DC Power Supply
- (1) Mounting Bracket & (2) Screws
- Manual & Warranty Card

CUSTOMER SUPPORT

Elation Professional® provides a customer support line, to provide set up help and to answer any question should you encounter problems during your set up or initial operation. You may also visit us on the web at www.elationlighting.com for any comments or suggestions. For service related issue please contact Elation Professional®.

ELATION SERVICE USA - Monday - Friday 8:00am to 5:00pm PST

Voice: 323-582-3322

Fax: 323-832-9142

E-mail: support@elationlighting.com

ELATION SERVICE EUROPE - Monday - Friday 08:30 to 17:00 CET

Voice: +31 45 546 85 30

Fax: +31 45 546 85 96

E-mail: support@elationlighting.eu

WARRANTY REGISTRATION

Please complete and mail in the enclosed warranty card or register online: <http://www.elationlighting.com/Login.aspx> to validate your purchase. All returned service items whether under warranty or not, must be freight pre-paid and accompany a return authorization (R.A.) number. The R.A. number must be clearly written on the outside of the return package. A brief description of the problem as well as the R.A. number must also be written down on a piece of paper and included in the shipping container. If the unit is under warranty, you must provide a copy of your proof of purchase invoice. Items returned without a R.A. number clearly marked on the outside of the package will be refused and returned at customer's expense. You may obtain a R.A. number by contacting customer support.



IMPORTANT NOTICE!

There are no user serviceable parts inside this device. Do not attempt any repairs yourself; doing so will void your manufactures warranty. Damages resulting from modifications to this fixture and/or the disregard of safety and general user instructions found in this user manual void the manufactures warranty and are not subject to any warranty claims and/or repairs.

LIMITED WARRANTY

A. Elation Professional® hereby warrants, to the original purchaser, Elation Professional® products to be free of manufacturing defects in material and workmanship for a period of two years (730 days), and Elation Professional® product rechargeable batteries to be free of manufacturing defects in material and workmanship for a period of six months (180 days), from the original date of purchase. This warranty excludes discharge lamps and all product accessories. This warranty shall be valid only if the product is purchased within the United States of America, including possessions and territories. It is the owner's responsibility to establish the date and place of purchase by acceptable evidence, at the time service is sought.

B. For warranty service, send the product only to the Elation Professional® factory. All shipping charges must be pre-paid. If the requested repairs or service (including parts replacement) are within the terms of this warranty, Elation Professional® will pay return shipping charges only to a designated point within the United States. If any product is sent, it must be shipped in its original package and packaging material. No accessories should be shipped with the product. If any accessories are shipped with the product, Elation Professional® shall have no liability what so ever for loss and/or or damage to any such accessories, nor for the safe return thereof.

C. This warranty is void if the product serial number and/or labels are altered or removed; if the product is modified in any manner which Elation Professional® concludes, after inspection, affects the reliability of the product; if the product has been repaired or serviced by anyone other than the Elation Professional® factory unless prior written authorization was issued to purchaser by Elation Professional®; if the product is damaged because not properly maintained as set forth in the product instructions, guidelines and/or user manual.

D. This is not a service contract, and this warranty does not include any maintenance, cleaning or periodic check-up. During the periods as specified above, Elation Professional® will replace defective parts at its expense, and will absorb all expenses for warranty service and repair labor by reason of defects in material or workmanship. The sole responsibility of Elation Professional® under this warranty shall be limited to the repair of the product, or replacement thereof, including parts, at the sole discretion of Elation Professional®. All products covered by this warranty were manufactured after January 1, 1990, and bare identifying marks to that effect.

E. Elation Professional® reserves the right to make changes in design and/or performance improvements upon its products without any obligation to include these changes in any products theretofore manufactured.

F. No warranty, whether expressed or implied, is given or made with respect to any accessory supplied with the products described above. Except to the extent prohibited by applicable law, all implied warranties made by Elation Professional® in connection with this product, including warranties of merchantability or fitness, are limited in duration to the warranty periods set forth above. And no warranties, whether expressed or implied, including warranties of merchantability or fitness, shall apply to this product after said periods have expired. The consumer's and/or dealer's sole remedy shall be such repair or replacement as is expressly provided above; and under no circumstances shall Elation Professional® be liable for any loss and/or damage, direct and/or consequential, arising out of the use of, and/or the inability to use, this product.

G. This warranty is the only written warranty applicable to Elation Professional® products and supersedes all prior warranties and written descriptions of warranty terms and conditions heretofore published.

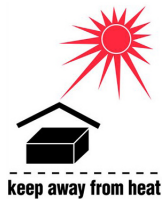
SAFETY INSTRUCTIONS



This device is an extremely sophisticated piece of electronic equipment. To guarantee a smooth operation, it is important to follow the guidelines in this manual. The manufacturer of this device will not accept responsibility for damages resulting from the misuse of this device due to the disregard of the information printed in this manual.



I N D O O R S U S E O N L Y !
DO NOT EXPOSE DEVICE TO RAIN AND MOISTURE!



DO NOT EXPOSE DEVICE TO HEAT OR FIRE!



DO NOT REMOVE EXTERNAL COVER/HOUSING!
DO NOT PLUG DEVICE INTO A DIMMER PACK!



DO NOT USE DEVICE IF THE BATTERY IS DAMAGED, DEFORMED, OR HAS AN ODOR!

DO NOT DISASSEMBLE THE BATTERY!
DISPOSE OF BATTERY PROPERLY ACCORDING TO LOCAL, STATE, AND COUNTRY REGULATIONS!

BATTERY PRECAUTIONS

PLACING BATTERY ON A CONDUCTIVE SURFACE MAY CAUSE A SHORT CIRCUIT!

The battery may easily short circuit by placing it on conductive surface, which may lead to heat build up, leakage, harmful fumes, and explosion damage.

DROPPING OR IMPACTING DEVICE MAY CAUSE PREMATURE FAILURES!

Drops or impacts to the device may affect the battery performance and/or life.

DIRECT SOLDERING OF BATTERY WIRE LEADS IS NOT ALLOWED!

Tampering with the battery in any form is not allowed and any damage as a result from doing so will void the manufacturers warranty.

DO NOT DISASSEMBLE THE BATTERY!

Tampering with the battery in any form is not allowed and any damage as a result from doing so will void the manufacturers warranty.

DO NOT USE DEVICE IF BATTERY IS DAMAGED, DEFORMED, OR HAS AN ODOR!

If the battery appears damaged including deformations to the plastic casing of the battery, smells, leaks, or other issue, **DO NOT USE THE BATTERY!**

BATTERY STORAGE

When storing the device / battery, it should be stored at room temperature, with a charge of at least 50%. It is recommended that during long periods of storage and/or non-use, the battery should be charged every 6 months. This will prolong the life of the battery and will also ensure the battery does not over discharge and fall below 30%.

BATTERY WARRANTY

The internal rechargeable battery is warranted to be free of manufacturing defects in material and workmanship for a period of six months (180 days), from the original date of purchase. This warranty applies to the original purchaser.

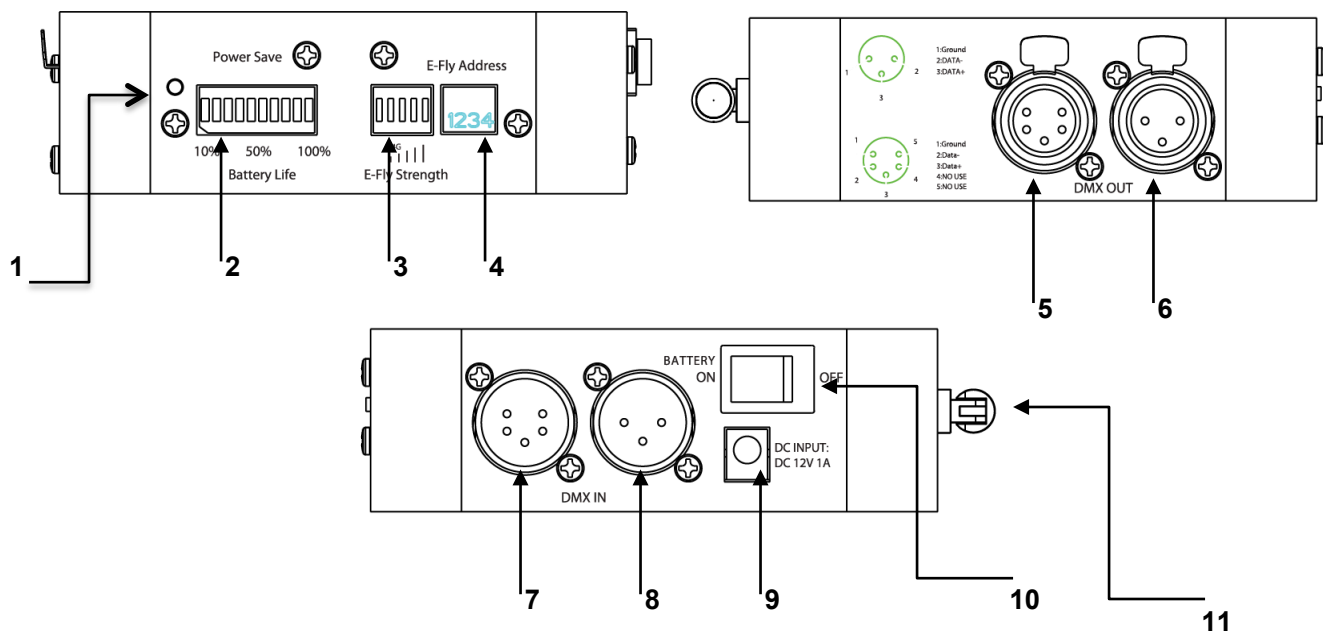
BATTERY DISPOSAL

Dispose of battery properly according to local, state, and country regulations.

BATTERY REPLACEMENT

Contact Customer Support to order a replacement battery.

OVERVIEW



- | | |
|------------------------------|--------------------------|
| 1. Power Save Button | 6. 3pin DMX Output |
| 2. Battery Life Indicator | 7. 5pin DMX Input |
| 3. E-FLY™ Signal Indicator | 8. 3pin DMX Input |
| 4. E-FLY™ Address Dip Switch | 9. 12V DC Power Input |
| 5. 5pin DMX Output | 10. Battery Power Switch |
| | 11. E-FLY™ Antenna |

INSTALLATION



FLAMMABLE MATERIAL WARNING

Keep device at least 5.0 ft. (1.5m) away from any flammable materials, decorations, pyrotechnics, etc.



ELECTRICAL CONNECTIONS

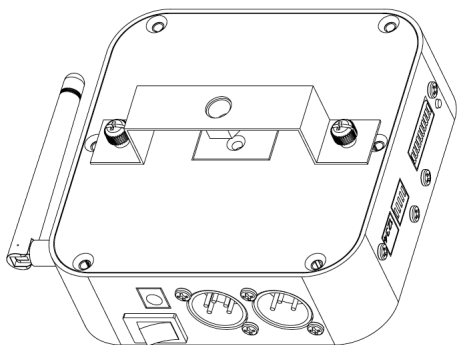
A qualified electrician should be used for all electrical connections and/or installations.

CAUTIONS

- For added protection, mount the device in areas outside walking paths, seating areas, or in areas where unauthorized personnel might reach the device.
- Before mounting the device to any surface, make sure the installation area can hold a minimum point load of 10 times the weight of the device.
- Device installation must always be secured with a secondary safety attachment, such as an appropriate safety cable.
- Never stand directly below the device when mounting, removing or servicing.

INSTALLATION OPTIONS

Device can be installed on any flat surface, attached to a metal surface via the magnet on the back panel, or attached to truss using the included mounting bracket and an optional wrap around clamp (not included). (See images below)



INCLUDED MOUNTING BRACKET INSTALLED ON BACK



ATTACHED TO TRUSS WITH OPTIONAL CLAMP
(CLAMP NOT INCLUDED)

OPERATION

POWER

The device can be operated by DC power or via the internal rechargeable battery.

- **DC POWER**

Plug the included 12V DC Power Supply into the device first, then plug DC Power Supply into an appropriate power source, then flip the **BATTERY SWITCH** to **OFF**.

- **BATTERY POWER**

Unplug the DC Power Supply from the device and flip the **BATTERY SWITCH** to **ON**.

BATTERY LIFE

The internal rechargeable battery life is 20-25 hours with a full charge of 4 hours.

Actual battery life may vary depending on several factors including but not limited to: environmental conditions, power/voltage, and usage patterns.

BATTERY LIFE INDICATOR

The Battery Life Indicator will display the current battery life. Each bar indicates 10% battery life. For example, when 3 Battery Life indicator bars are displayed, this means the battery is at 30% life.

BATTERY CHARGING

To charge the internal battery, plug the included 12V DC Power Supply into the device first, plug DC Power Supply into an appropriate power source, and then flip the **BATTERY SWITCH** to **ON**. The Battery Life Indicator bars will pulse on as the battery is being charged. The battery is fully charged when all the bars on the Battery Life Indicator are illuminated.



DO NOT CHARGE THE BATTERY MORE THAN 4 HOURS!

Overcharging may affect the battery performance and/or life.



DO NOT LET BATTERY CHARGE FALL BELOW 30%!

Keeping the device with less than a 30% charge will shorten the life of the battery.

OPERATION [continued]

POWER SAVE

Press and hold the Power Save button for 3 seconds to toggle between the indicator displays **ON/OFF**. The indicator displays will flash 2 or 3 times confirm each change.

When set to **ON**, the displays will remain illuminated in any situation.

When set to **OFF**, the illumination brightness of the displays will decrease after 5 seconds and turn **OFF** after 10 seconds of no device operation.

E-FLY™ SIGNAL INDICATOR

The **E-FLY™** Signal Indicator will display the current wireless DMX signal strength being received. The more bars the indicator displays, the stronger the wireless DMX signal is. Signal strength may vary depending on the location of the **E-FLY™** device and the fixture it is connected to, and the visible line of sight between them.

- The first bar on the **E-FLY™** signal strength indicator will flash SLOWLY when the **E-FLY™** device is transmitting a DMX signal.
- The first bar on the **E-FLY™** signal strength indicator will flash QUICKLY when the **E-FLY™** device is NOT receiving a DMX signal.

E-FLY™ ADDRESS CHANNEL

The **E-FLY™** device address can be set to (15) different channels (0-14) by switching the corresponding **E-FLY™** Address Dip Switch. (See chart below)

E-FLY CHANNEL	0	1	2	3	4	5	6	7
DIP SWITCHES ON	None	1	2	1, 2	3	1, 3	2, 3	1, 2, 3
E-FLY CHANNEL	8	9	10	11	12	13	14	
DIP SWITCHES ON	4	1, 4	2, 4	1, 2, 4	3, 4	1, 3, 4	2, 3, 4	

SET UP

This **E-FLY™** device can **TRANSMIT** or **RECEIVE** a wireless DMX signal to and from another **E-FLY™** compatible device or fixture.

TRANSMIT WIRELESS DMX SIGNAL

1. Power device by connecting DC Power Supply or flipping Battery Switch **ON**.
 - If using DC power, ensure the Battery Switch is **OFF**.
 - If using battery power, ensure the device is charged more than 30%.
2. Set the **E-FLY™** transmitting device address (channel 0-14) by adjusting the Address Dip Switch accordingly. (See channel chart on previous page)
3. Connect the DMX OUTPUT cable from the DMX signal source/controller to the **E-FLY™** device DMX INPUT. The first bar of the **E-FLY™** Signal Indicator will flash SLOWLY when the **E-FLY™** device is transmitting a wireless DMX signal. However the first bar of the **E-FLY™** Signal Indicator will flash QUICKLY if there is no DMX signal input to the **E-FLY™** device.

RECEIVE WIRELESS DMX SIGNAL

1. Power device by connecting DC Power Supply or flipping Battery Switch **ON**.
 - If using DC power, ensure the Battery Switch is **OFF**.
 - If using battery power, ensure device is charged more than 30%.
2. Set the **E-FLY™** receiving device address (channel 0-14) to match the same address (channel 0-14) of the **E-FLY™** transmitting device by adjusting the Address Dip Switch accordingly. (See channel chart on previous page)
3. Connect the DMX OUTPUT cable from the **E-FLY™** receiving device to the DMX INPUT of the fixture. The **E-FLY™** Signal Indicator will display the current received **E-FLY™** wireless DMX signal strength. The more bars the indicator displays, the stronger the wireless DMX signal is. The first bar of the **E-FLY™** Signal Indicator will flash QUICKLY if there is no DMX signal being received.

SET UP [continued]

ANTENNA POSITION

This position of the **E-FLY™** antenna (Up or Down) must match the positions of all other **E-FLY™** compatible device antennas (Up or Down) connected in the same group. This helps to ensure a strong line of sight wireless DMX signal between all connected **E-FLY™** devices in the same group. Repositioning an **E-FLY™** device or fixture will usually improve the signal strength.

TECHNICAL SPECIFICATIONS

FEATURES

- Wireless DMX Transceiver (Transmitter/Receiver In One)
- Rechargeable Battery Life - Up To 20-25 hours From a 4 Hour Charge
- Battery Life and Signal Strength Indicator Display
- Wireless Range Up to 2,500 ft (762m) Open Line of Sight
- Transmit To Multiple Receivers On Same Radio Channel
- Supports Up To (15) DMX-512 Universes
- (15) Radio Channels (1 DMX universe per channel)
- Auto Paring Feature
- Wireless Frequency: 2.4 GHz ISM

CONTROL / CONNECTIONS

- Battery Switch
- Power Save Button
- 3pin and 5pin DMX In/Out
- 12VDC Power Supply Input

SIZE / WEIGHT

- Length: 6.0" (152.7mm)
- Width: 5.3" (134.4mm)
- Vertical Height: 1.6" (62mm)
- Weight: 1.3 lbs. (0.6kg)

ELECTRICAL / THERMAL

- 12VDC, 1A (AC or DC powered)

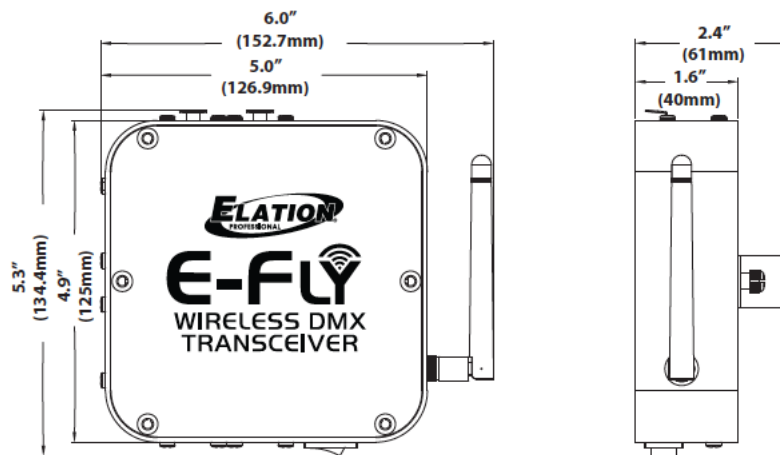
APPROVALS / RATINGS

- CE

INCLUDED ITEMS

- 12VDC Power Supply
- Back Panel Magnet for Easy Metal Surface Mounting
- Mini Omega Bracket For Clamp/Truss Mounting (Clamp not included)

DIMENSIONAL DRAWINGS



Please Note: Specifications and improvements in the design of this unit and this manual are subject to change without any prior written notice.

OPTIONAL ACCESSORIES

ORDER CODE	ITEM
NARROW CLAMP	PRO 2" Wrap Around Style Clamp
AC3PDMX5PRO	5 ft. (1.5m) 3pin PRO DMX Cable
AC5PDMX5PRO	5 ft. (1.5m) 5pin PRO DMX Cable
	Additional Cable Lengths Available

NOTES

