



Say hello to our next-generation multi-purpose light. In addition to being a battery-powered uplight and PAR with 5 different beam options, multiple PixelBricks can be connected to form clusters and shapes. With about 10cm edge length and 1kg weight, it is small and light-weight while still featuring a powerful output of high-quality light. The PixelBrick can be used for many stage, film and TV applications.

SPECIFICATIONS



Max 20h



Wireless DMX



IP65



App

Order Code	PB15
LED Engine	Titan LED Engine
Colors	RGBMintAmber
Total LED Power	15W
Power Draw	12W
Light Output – 2700k, 3200k, 5500k*	388lm, 450lm, 375lm
CRI(Ra)/TLCI 3200-6500k*	≥96
Beam Angle	13°
Strobe	0 - 25Hz
Pixel	1
Battery Lifetime	70 % after 300 cycles
Battery Runtime	up to 20 hours
Charging Time (nominal)	5 hrs
Input Voltage	24VDC
Input Current	0.8A
Wired DMX	Yes (via PWB-2-86)
CRMX Receiver	Built in
Wireless Frequencies	CRMX 2.4GHz, UHF, Bluetooth
Range (m/yds)	300/330 (Bluetooth 3/3,3)
Housing Material	Aluminium
IP Rating	IP65
Ambient Temperature (°C/°F)	0° - 40° / 32° - 104°
Weight (kg/lbs)	1.12 / 2.47
Dimensions (mm/inches)	91 x 91 x 94 / 3.6 x 3.6 x 3.7

*Typical values

RF CHARACTERISTICS

Wireless Modules	EU: UHF (863-870MHz)	USA: UHF (917-922.20MHz)	AUS: UHF (922.30-927.50MHz)	SGP: UHF (920.50-924.50MHz)
Modulation	FHSS	FHSS	FHSS	FHSS
ERP (Transmitter)	<25mW	<25mW	<25mW	<25mW
Channel Count	47	53	53	41

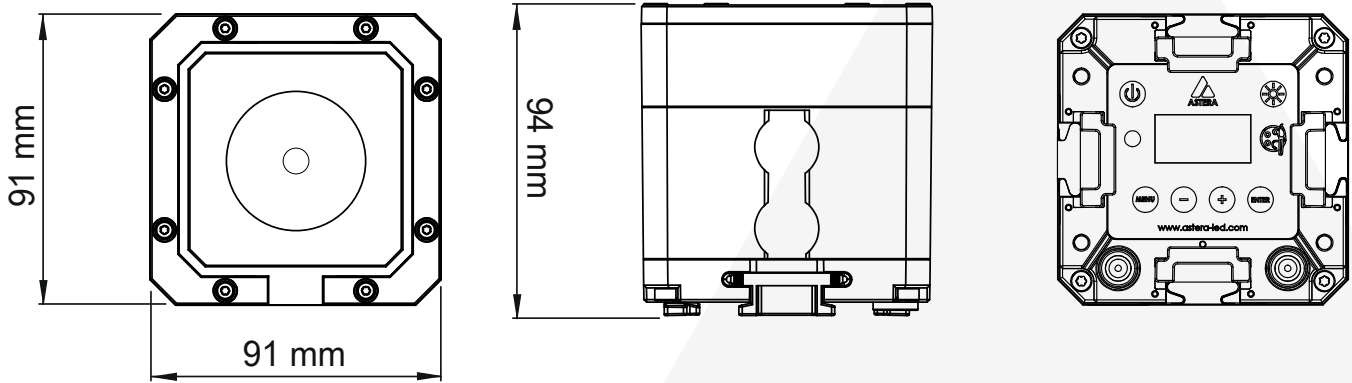
Wireless Modules	KOR: UHF (917.9-921.5MHz)	RUS: UHF (868.75-869.12MHz)	JPN: UHF (922.80-926.40MHz)	CRMX (2402-2480MHz)	Bluetooth 5.0 LE (2402-2480MHz)
Modulation	FHSS	FHSS	FHSS	FHSS	FHSS
ERP (Transmitter)	<25mW	<25mW	<25mW	-	10mW (BLE)
Channel Count	10	6	19	79	40

BUILT-IN BLUETOOTH AND UHF TRANSMITTER

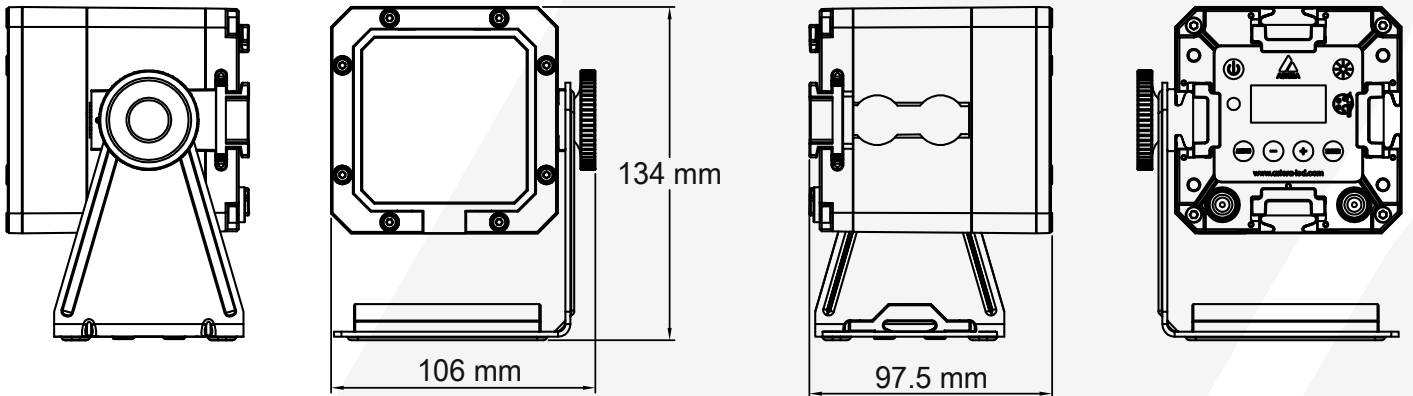
Connect directly to a PixelBrick via Bluetooth. This master light will revert AsteraApp commands to all other NYX Bulbs and other Astera lights via UHF band.



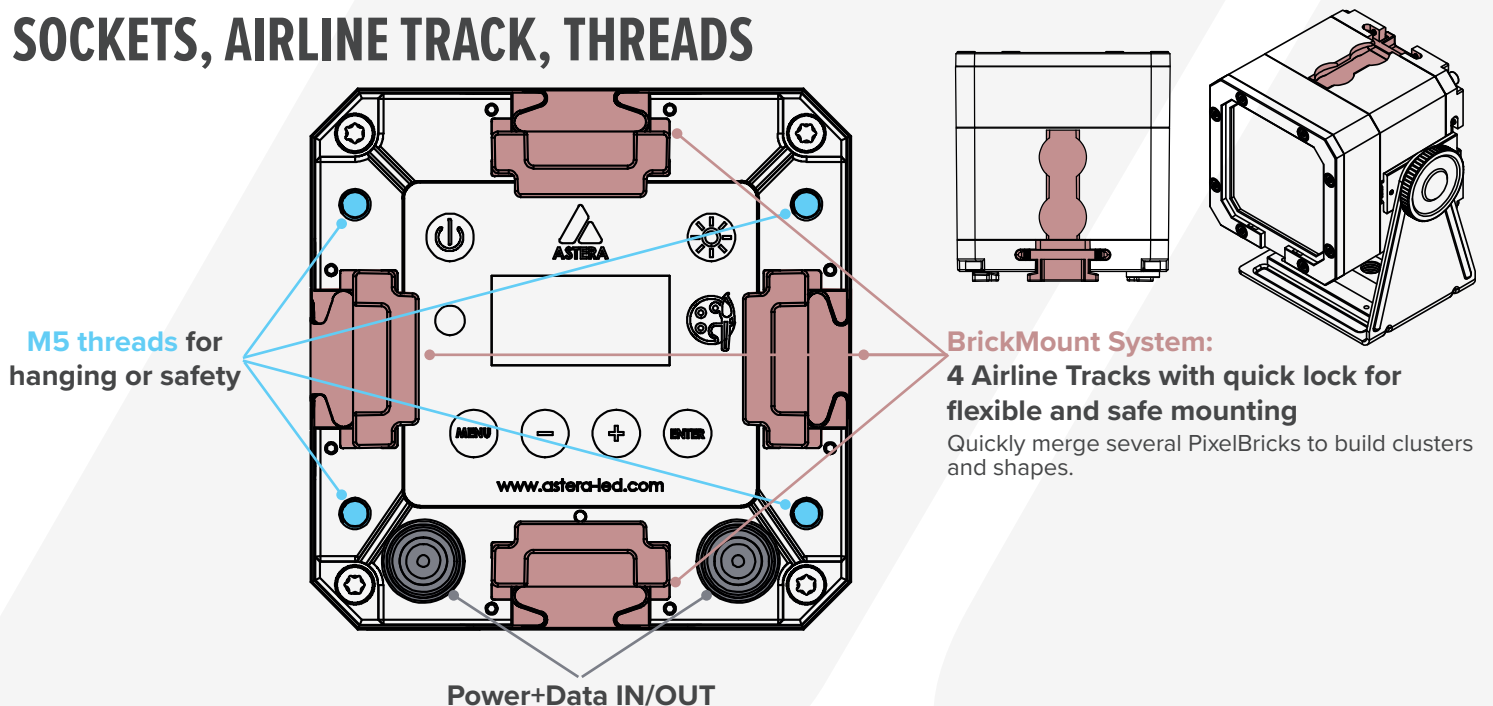
DRAWINGS WITHOUT BRACKET



WITH BRACKET



SOCKETS, AIRLINE TRACK, THREADS



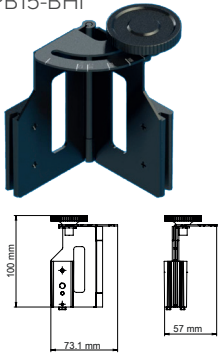
ACCESSORIES

BrickBracket PB15-BBR



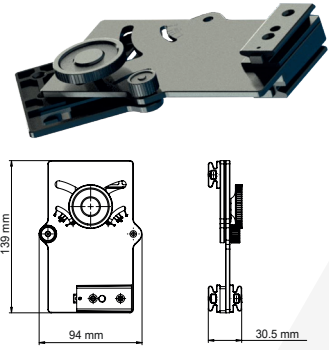
Weight (1pc): 270g / 5.59lbs

BrickHinge PB15-BHI



Weight: 220g / 0.48lbs

BrickTilt PB15-BTLT



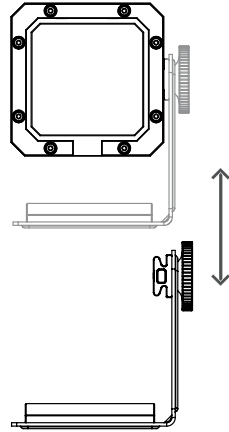
Weight: 270g / 0.59lbs

BrickConnect PB15-BCN

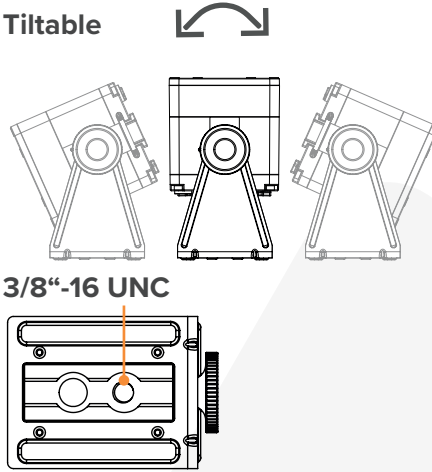


Weight (1pc): 27g / 0.059lbs

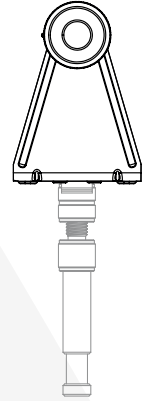
Removeable



Tiltable



AirlineTrack on bottom for mounting

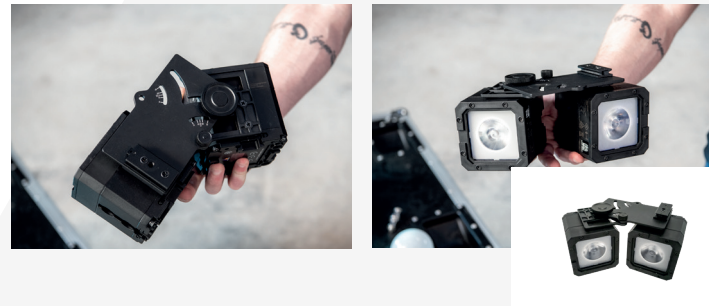


BrickHinge on PixelBrick to create several shapes



BrickTilt on PixelBrick

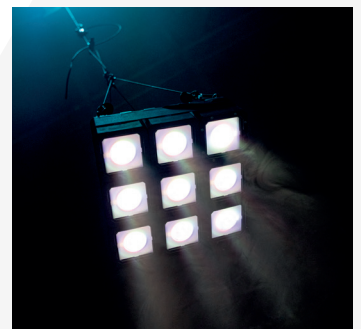
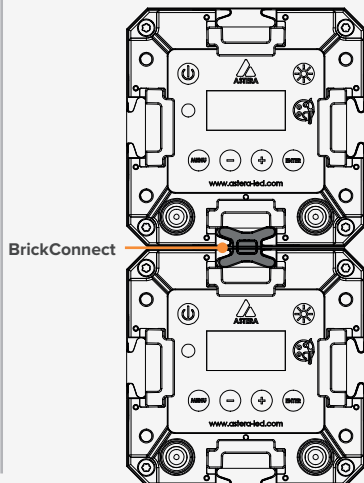
Tilt the angle of the PixelBrick outward or inward



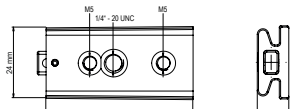
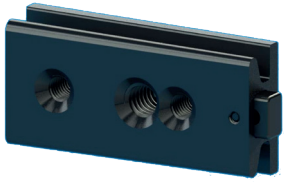
Build creative shapes



Connect your PixelBricks to several shapes

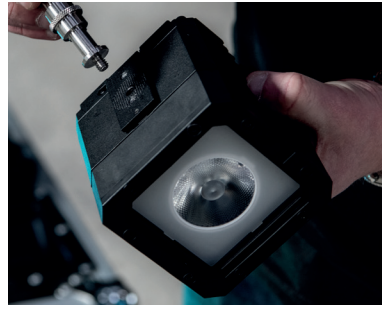


BrickMount
PB15-BMO

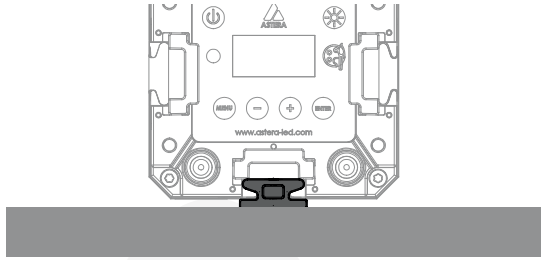


Weight (1pc): 25g / 0.55 lbs

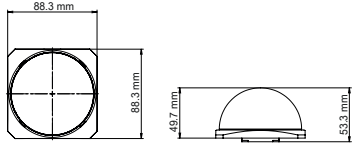
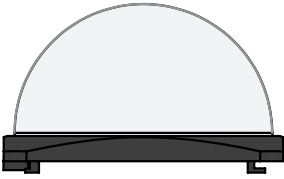
BrickMount on PixelBrick



Mounted on plate



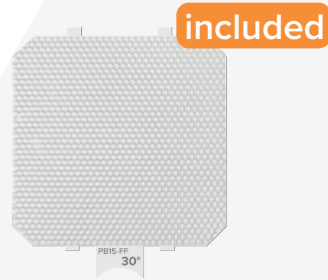
BrickDome
PB15-BDM



BrickDome on PixelBrick



Filters



FloodFilter 30°
PB15-FF



BeamSoftener 17°
PB15-BSO

TrackPin
AX-TP



EyeBolt
FP1-EBLT



Power/Data Cable
5m, 10m, 15m
PWB-CAB-5/-10/-15



Power/Data Cable
0,2m
PWB-CAB-0.2



ChargingCase
PB15-CHRCSE



Weight (empty): 6.8kg / 15lbs
Weight (full): 16.3kg / 36lbs



Dimensions (mm/inch)
541.5 x 400 x 205.5 / 21.3 x 17.44 x 8.1

AccessoryCase
PB15-ACCCSE



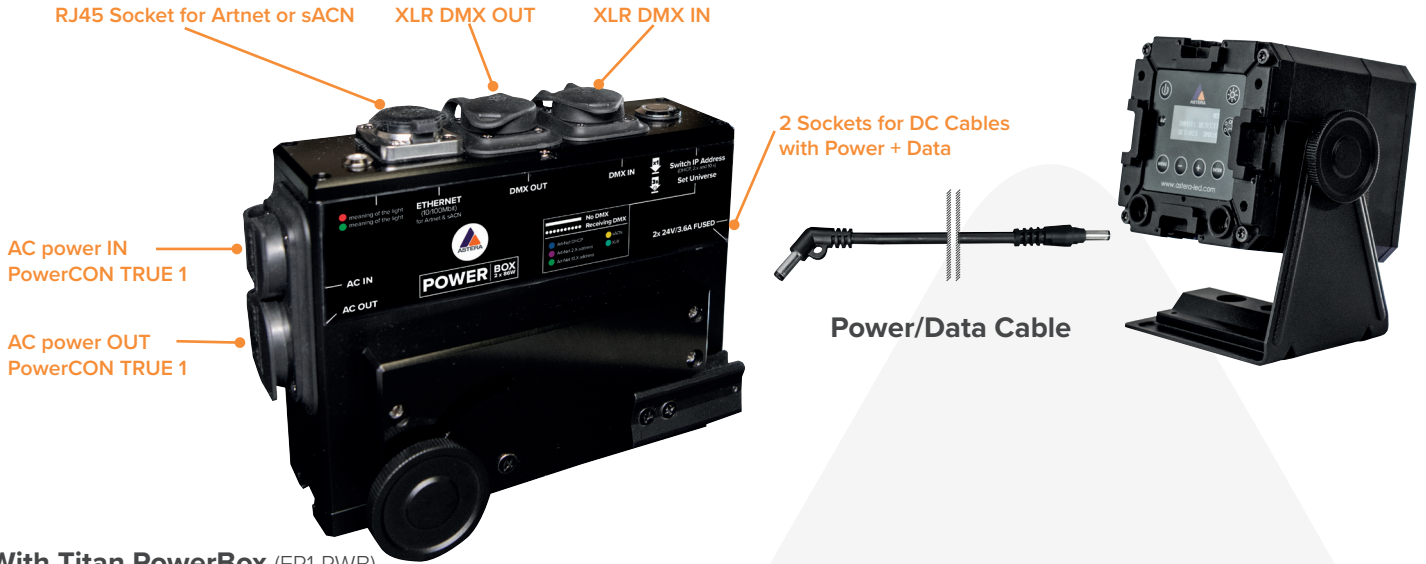
Weight (empty): 7kg / 15.4lbs
Weight (full): 13.3kg / 29.3lbs



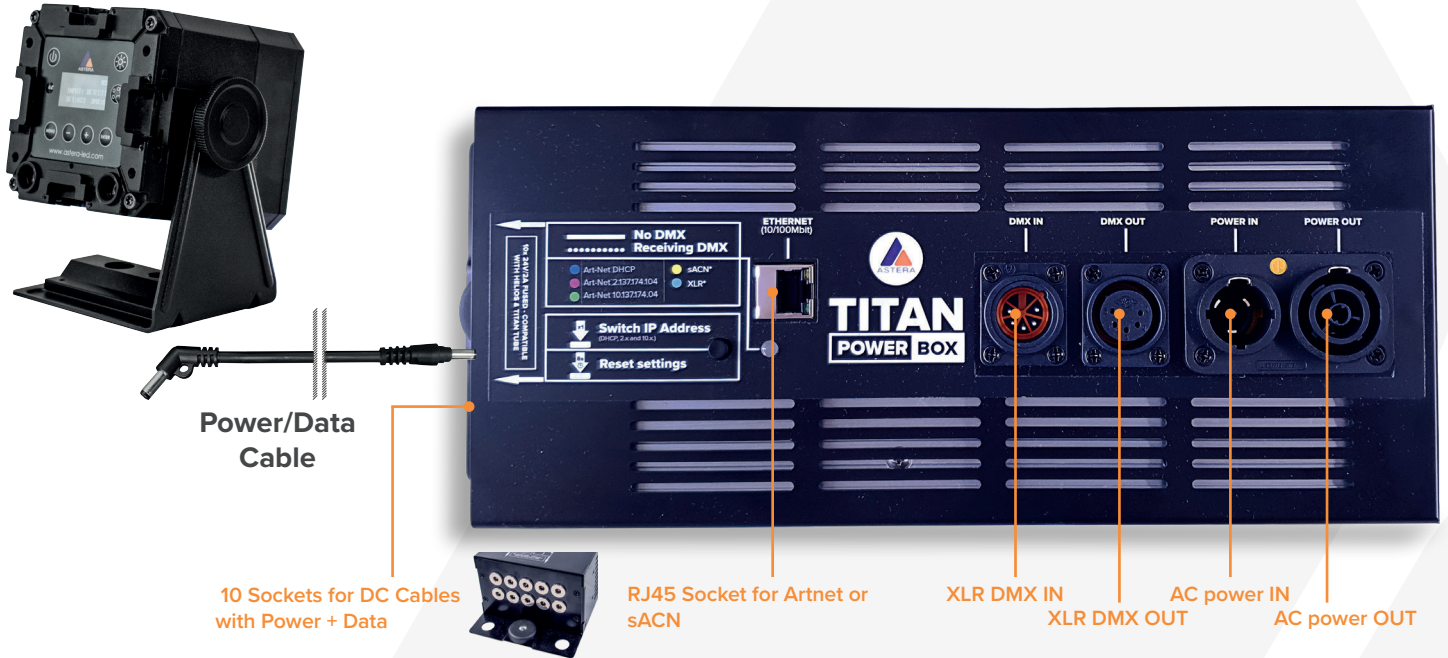
Dimensions (mm/inch)
541.5 x 400 x 205.5 / 21.3 x 17.44 x 8.1

CHARGING & CONNECTING

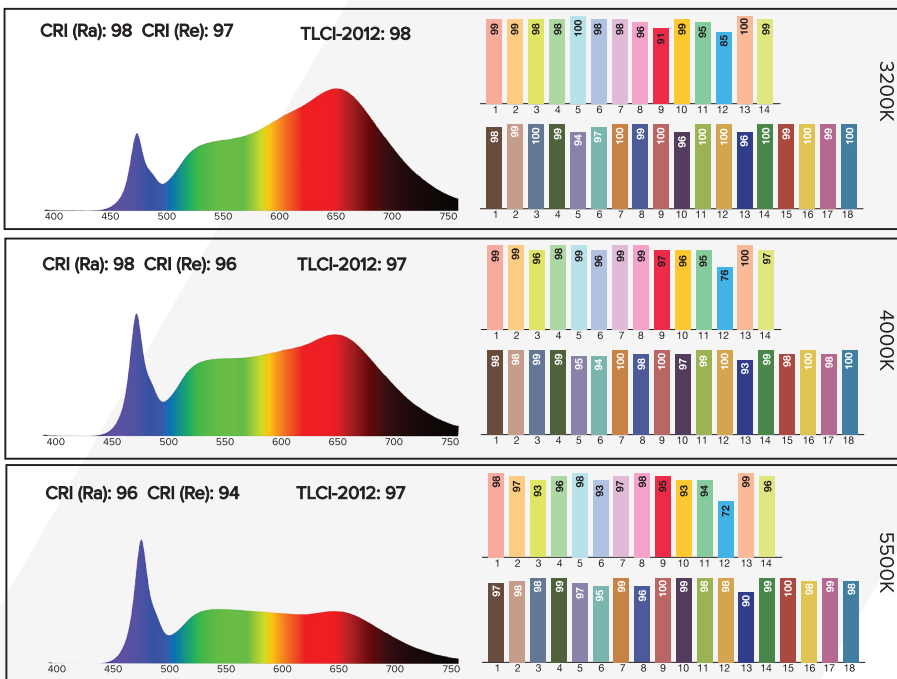
With PowerBox 2x86 (PWB-2-86)



With Titan PowerBox (FP1-PWB)



TYPICAL SPECTRAS



Typical values