



Datasheet

AX9 POWER | PAR



The AX9 utilizes the AX5's successful 3-in-1 concept which allows it to be used as wireless light and elegant upright as well as a wired PAR light for longer or bigger installations. This makes it an extremely cost-efficient light and keeps your investment to a minimum. The AX9 packs extreme brightness in a compact and light housing while still giving you industry-leading colors and white tones thanks to its Titan LED Engine.

SPECIFICATIONS



Max 20h



Wireless DMX



IP65



App

Order Code	AX9
LED Engine	Titan LED Engine
Colors	RGBMintAmber
Total LED Power	105W
LED Power Draw	70W
Light output – 2700K, 3200K, 5500K*	2497 lm / 3008 lm / 2891 lm
Emittance @2m – 2700K, 3200K, 5500K*	9700 lx / 9900 lx / 9600 lx
CRI(Ra)/TLCI 3200-6500K*	≥96
Beam Angle	13°
Strobe	0 - 25Hz
Pixel	1
Battery Lifetime	70 % after 300 cycles
Battery Runtime	up to 20 hours
Charging Time (nominal)	5 hours
AC Input	100-240VAC, 50/60Hz, 2.3A/115VAC ~ 1.1A/230VAC 110W
Wired DMX	Yes
CRMX Receiver	Built in
Wireless Frequencies	CRMX 2.4GHz, UHF, Bluetooth
Range (m/yds)	300 / 330 (3/3,3 Bluetooth)
Housing Material	Aluminium
IP Rating	IP65
Ambient Temperature (°C/°F)	0° - 40° / 32° - 104°
Weight (kg/lbs)	5.66 / 12.5
Dimensions (mm/inches)	175 x 222 x 256 / 6.9 x 8.7 x 10.1

*Typical value

RF CHARACTERISTICS

Wireless Modules	EU: UHF (863-870MHz)	USA: UHF (917-922.20MHz)	AUS: UHF (922.30-927.50MHz)	SGP: UHF (920.50-924.50MHz)
Modulation	FHSS	FHSS	FHSS	FHSS
ERP (Transmitter)	<25mW	<25mW	<25mW	<25mW
Channel Count	47	53	53	41

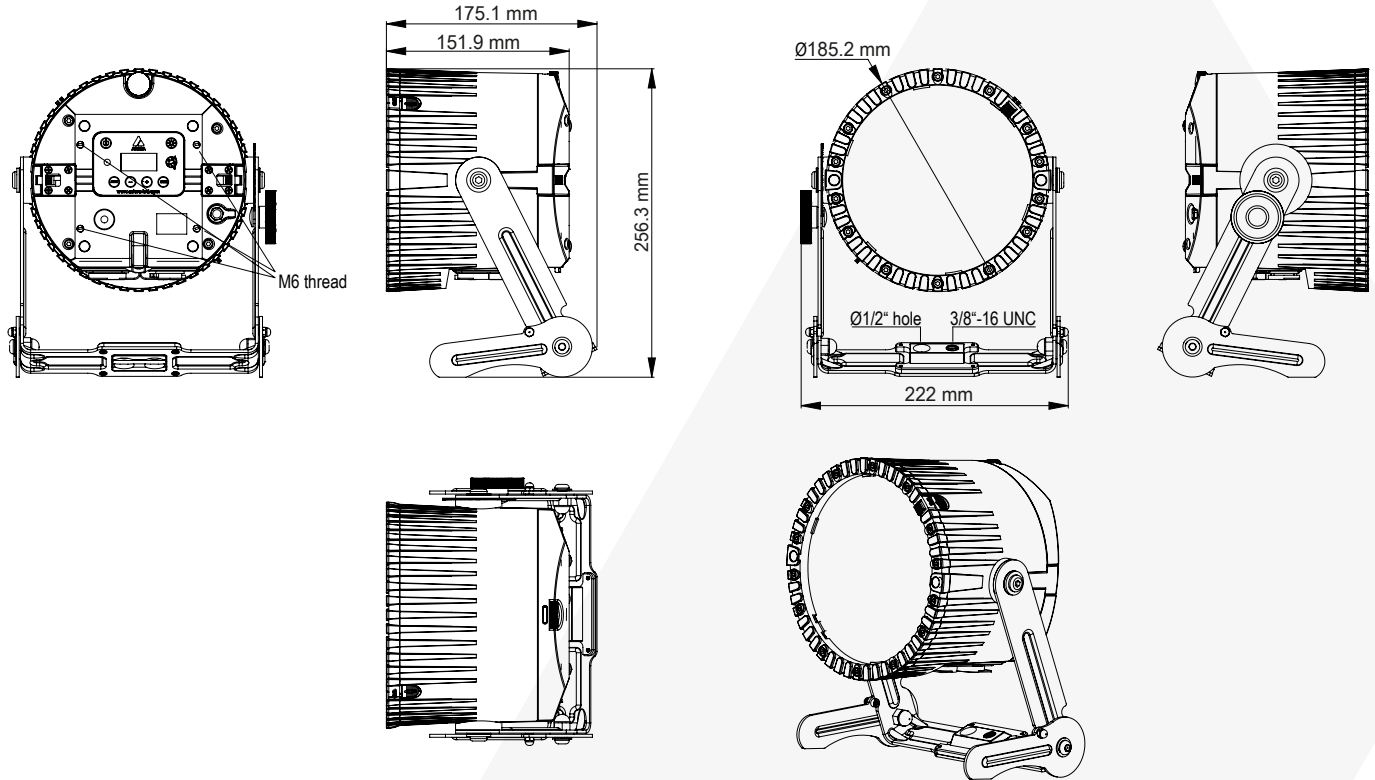
Wireless Modules	KOR: UHF (917.9-921.5MHz)	RUS: UHF (868.75-869.12MHz)	JPN: UHF (922.80-926.40MHz)	CRMX (2402-2480MHz)	Bluetooth 5.0 LE (2402-2480MHz)
Modulation	FHSS	FHSS	FHSS	FHSS	FHSS
ERP (Transmitter)	<25mW	<25mW	<25mW	-	10mW (BLE)
Channel Count	10	6	19	79	40

BUILT-IN BLUETOOTH AND UHF TRANSMITTER

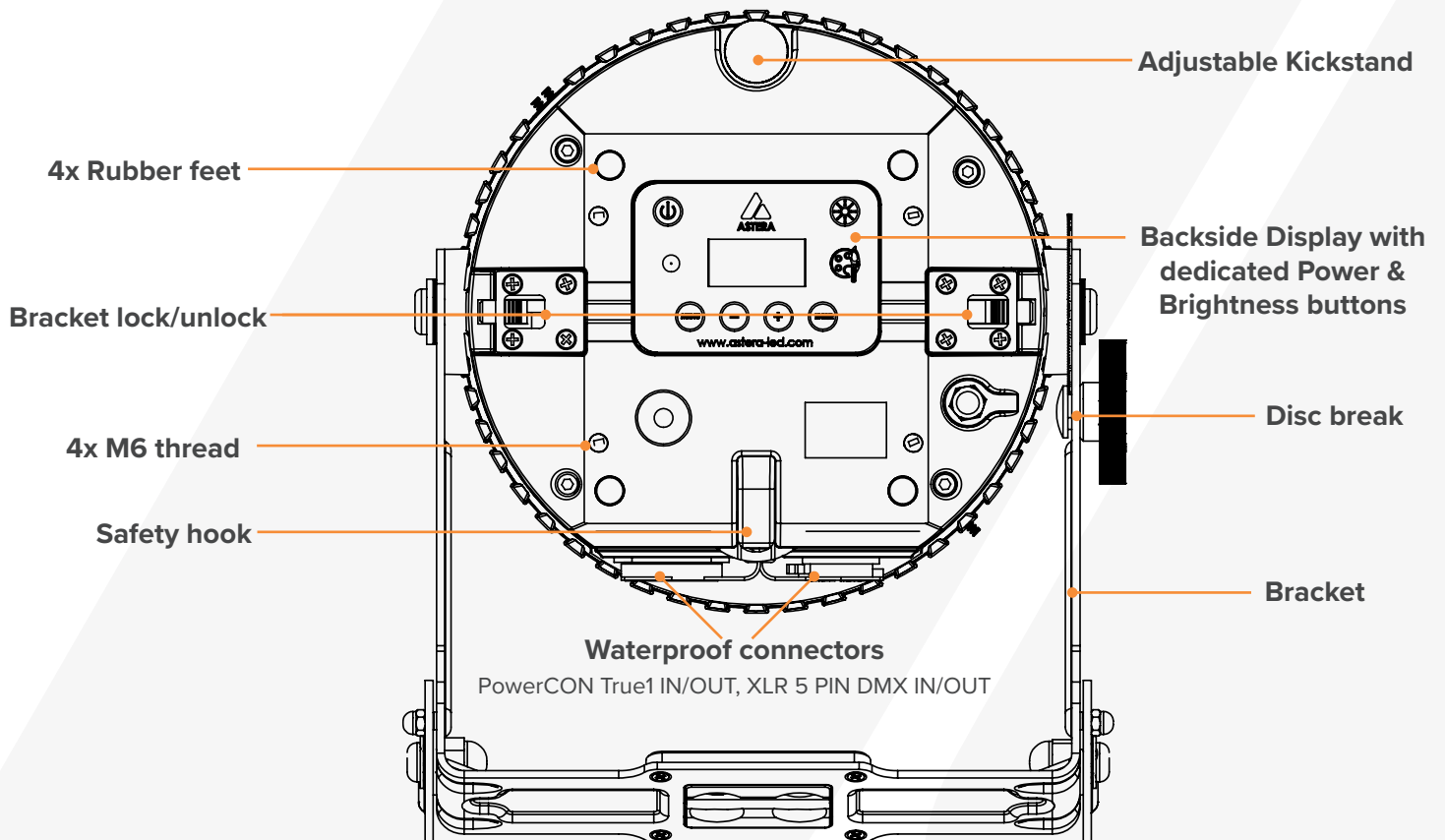
Connect directly to a AX9 PowerPAR via Built-In Bluetooth. This master light will revert AsteraApp commands to all other NYX Bulbs and other Astera lights via UHF band.



DRAWINGS



BACKSIDE AND BRACKET



ACCESSORIES

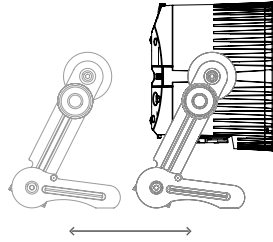
AX9 Bracket AX9-STA

included

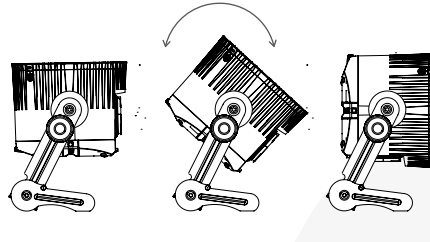


Dimensions (mm/inch):
200 x 222 / 7.9 x 8.7
Weight (g/lbs):
808g / 1.8 lbs

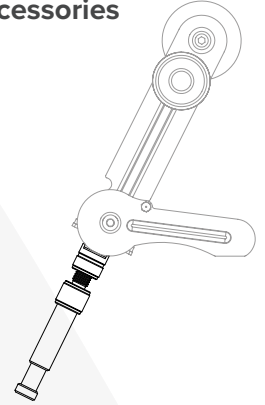
Removeable



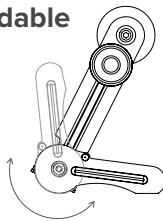
Tiltable



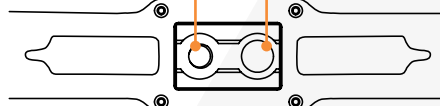
AirlineTrack on bottom
for attaching mounting
accessories



Foldable



3/8"-16 UNC 1/2" hole



Set of 8 FlexCovers Mirror or White

AX9-FLXCVR-MIR-8 / -WT-8



Dimensions (mm/inch):
685 x 210 / 27 x 8.3
Weight 1pc (g/lbs):
64g / 0.14lbs

AX9 wrapped with FlexCover



EggCrate AX9-EGC



sample image

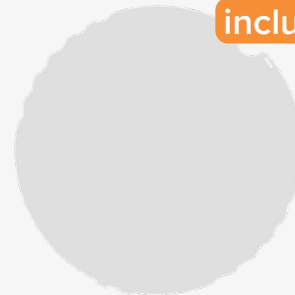
Dimensions (mm/inch):
tba
Weight (g/lbs):
tba

EggCrate on AX9 PowerPar



Filters

included



FloodFilter 32°
AX9-FF

included



WallwashFilter 17°x46°
AX9-WWF

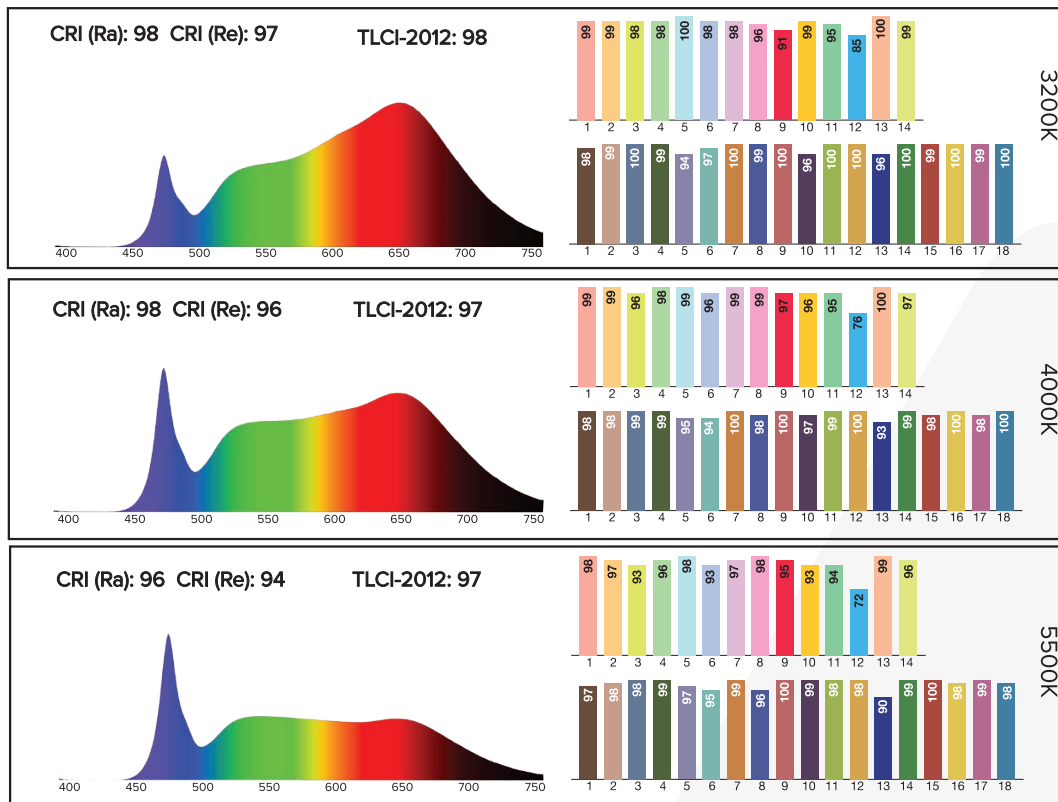
TrackPin AX-TP



BabyPin FP1-BLT



TYPICAL SPECTRAS



Typical values