



Datasheet

AX2₅₀
PIXELBAR
AX2-50

AX2₁₀₀
PIXELBAR
AX2-100

Date: 09/22/20 Version: 1.0



The Astera AX2-100/50 PixelBar is a professional RGB+Amber+Mint LED (TITAN LED Engine) wall washer with ultra high TLCI/ CRI and excellent color rendering as well as Astera's flicker free PWM technology. Built-in CRMX and UHF Modules provide the same connectivity known from other Astera fixtures. Numerous professional features and mounting options make the AX2 a versatile IP 65 rated battery powered fixture for the Film, Broadcast and Event industry. This device was designed for indoor and outdoor use.

SPECIFICATIONS



Max 20h



Wireless DMX



IP65



App

	AX2-50	AX2-100
Order Code	AX2-50	AX2-100
LED Engine	TITAN LED Engine	TITAN LED Engine
Colors	RGBMintAmber	RGBMintAmber
Total LED Power	80W	160W
Power Draw	40W	80W
Light output - 2700k, 3200k,5500k*	1800lm, 2230lm, 2265lm	3600lm, 4460lm, 4530lm
CRI(Ra)/TLCI 3200-6500k*	≥96	≥96
Beam Angle	21°	21°
Strobe	0 - 25Hz	0 - 25Hz
Pixels	8	16
Battery Lifetime	70 % after 300 cycles	70 % after 300 cycles
Battery Runtime	up to 20 hours	up to 20 hours
Charging Time (nominal)	5 hrs	5 hrs
Input Voltage	100 - 240VAC, 50/60 Hz, 2A, 49W	100 - 240VAC, 50/60 Hz, 2A, 104W
Wired DMX	Yes	Yes
CRMX Receiver	Built in	Built in
Wireless Frequencies	CRMX 2.4GHz, UHF	CRMX 2.4GHz, UHF
Range	300m (330yds)	300m (330yds)
Housing	Aluminium	Aluminium
IP Rating	IP65	IP65
Ambient Temperature	0° - 40° C (32° - 104° F)	0° - 40° C (32° - 104° F)
Weight	4.5 kg (9.9 lbs)	7.4 kg (16.3 lbs)
Dimensions with hook (mm/inches)	520 x 165 x 65 / 20.5 x 6.5 x 2.6	1020 x 165 x 65 / 40.1 x 6.5 x 2,6
Dimensions without hook (mm/inches)	500 x 165 x 65 / 19.7 x 6.5 x 2.6	1000 x 165 x 65 / 39.4 x 6.5 x 2.6

*Typical value

RF CHARACTERISTICS

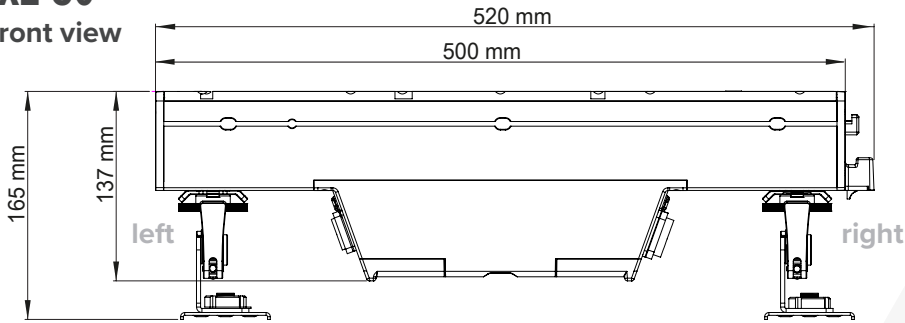
Wireless Modules	EU: UHF (863-870MHz)	USA: UHF (917-922.20MHz)	AUS: UHF (922.30-927.50MHz)	SGP: UHF (920.50-924.50MHz)
Modulation	FHSS	FHSS	FHSS	FHSS
ERP (Transmitter)	<25mW	<25mW	<25mW	<25mW
Channel Count	47	53	53	41

Wireless Modules	KOR: UHF (917.9-921.5MHz)	RUS: UHF (868.75-869.12MHz)	JPN: UHF (922.80-926.40MHz)	CRMX (2402-2480MHz)
Modulation	FHSS	FHSS	FHSS	FHSS
ERP (Transmitter)	<25mW	<25mW	<25mW	-
Channel Count	10	6	19	79

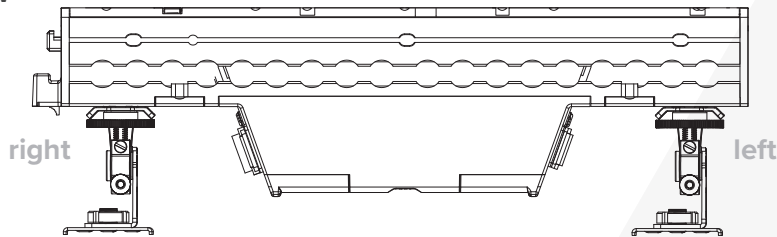
DRAWINGS

AX2-50

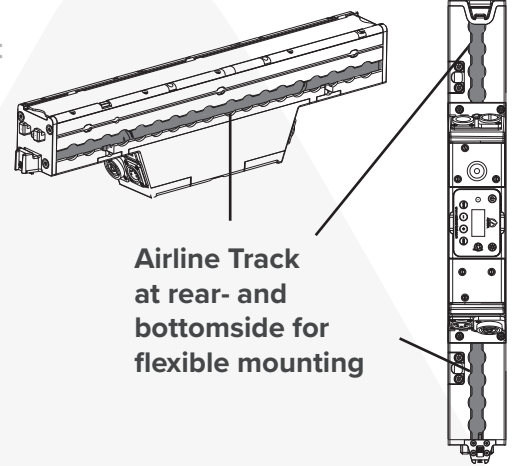
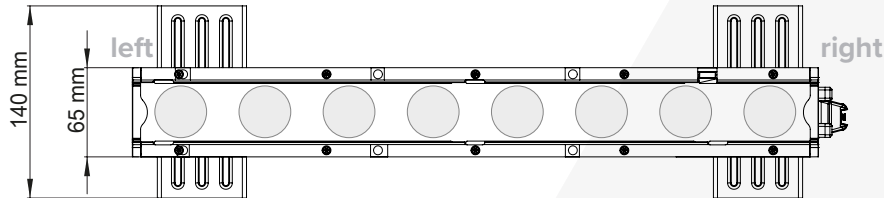
Front view



Rear view



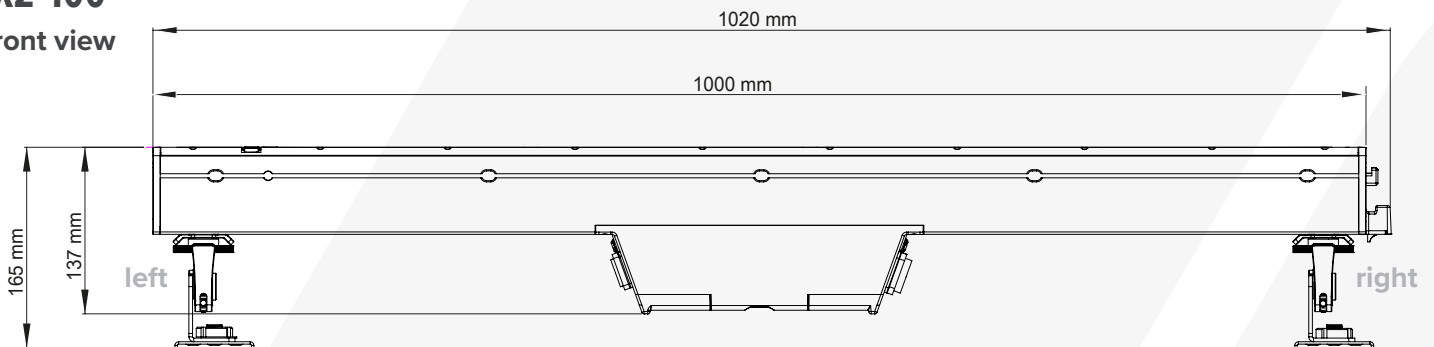
Top view



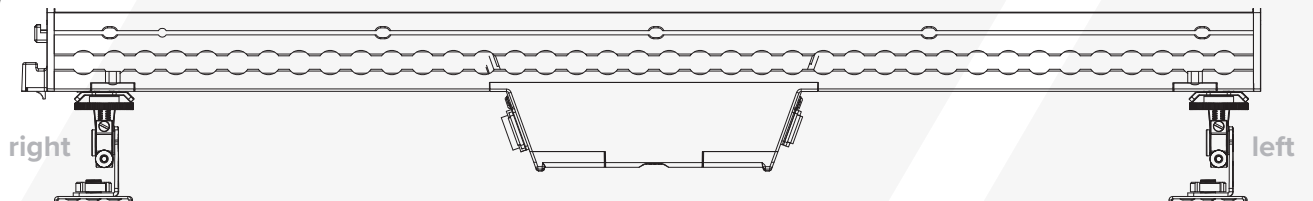
Airline Track
at rear- and
bottomside for
flexible mounting

AX2-100

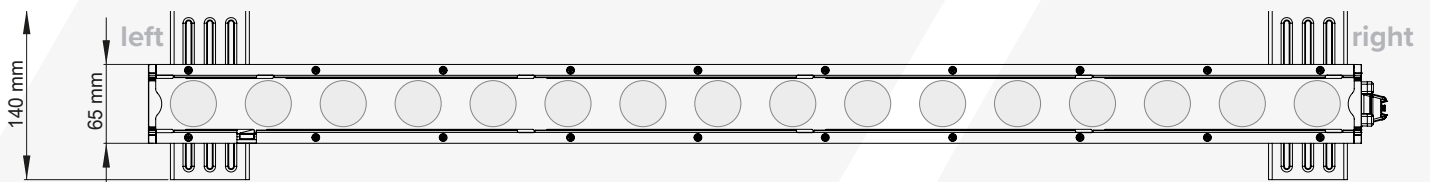
Front view



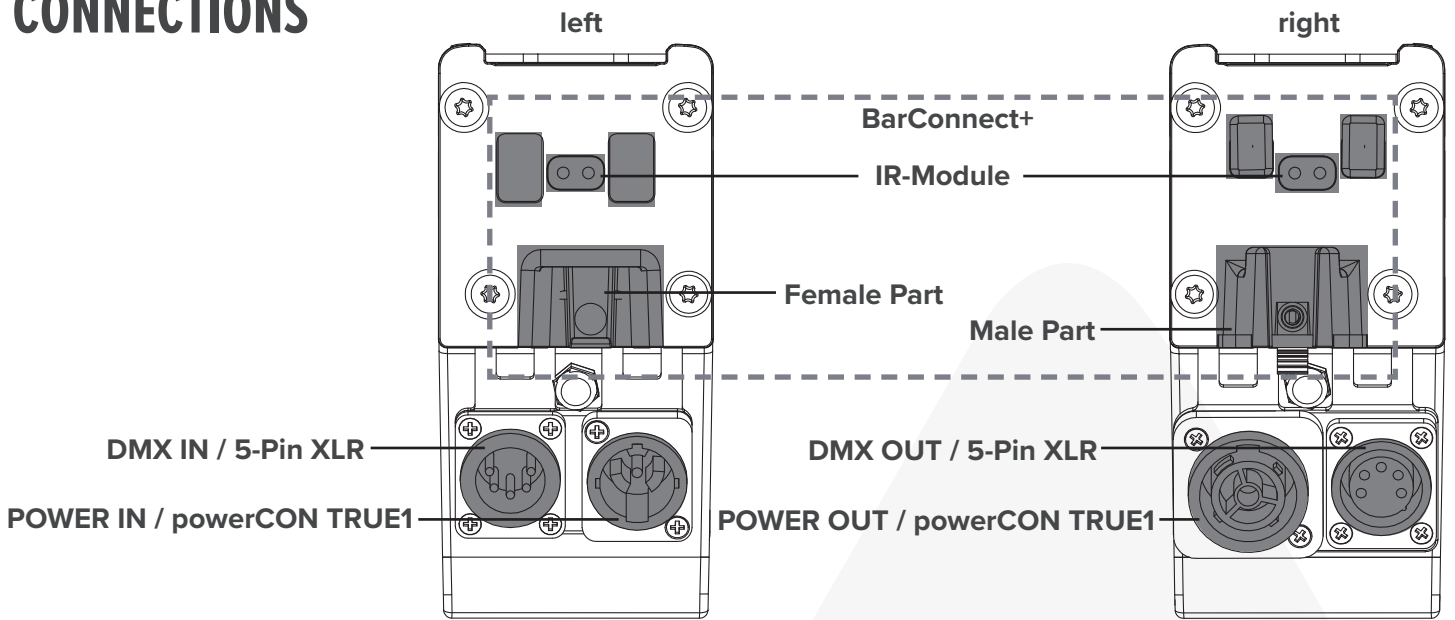
Rear view



Top view



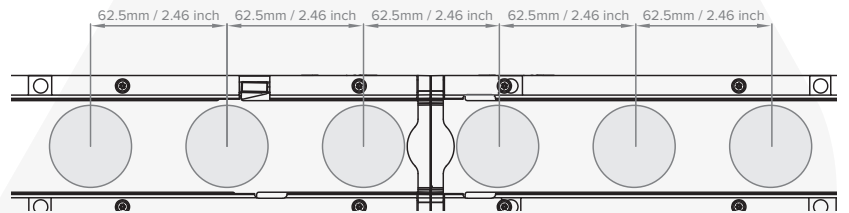
CONNECTIONS



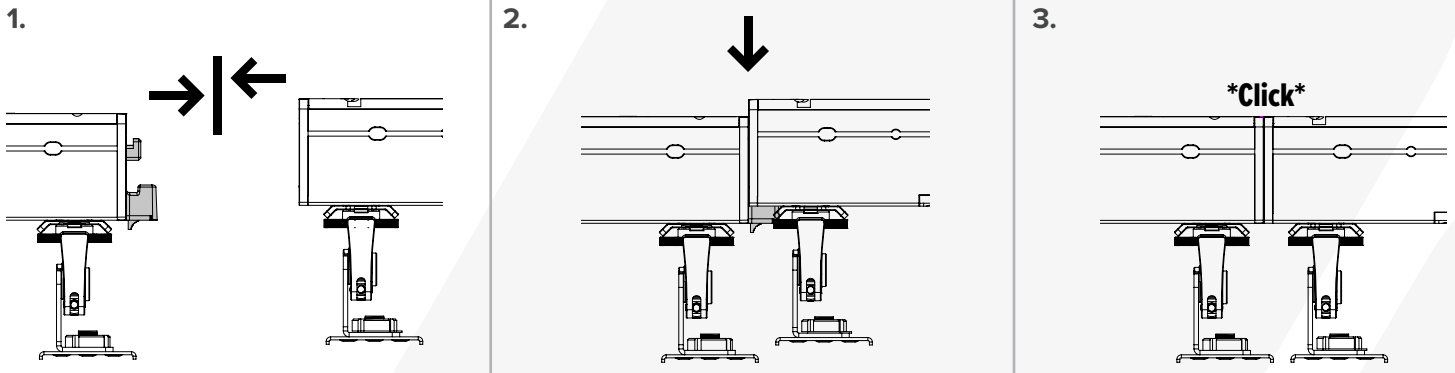
BARCONNECT+

Quickly merge several PixelBars while maintaining the pixel pitch. Aim connected units together to maintain consistent lighting or hang them. The integrated IR modules enable auto-addressing for AsteraApp and DMX control.

Consistent pixel pitch between LEDs



Connect AX2



ACCESSORIES

AX2 Feet AX2-FT

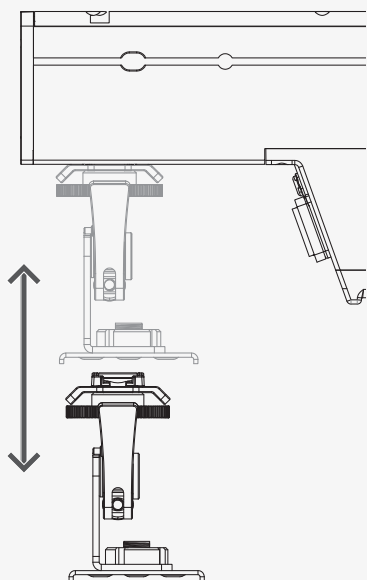


included

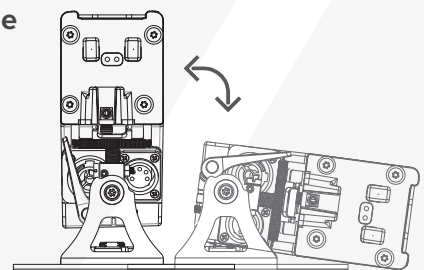
Weight (1pc): 390g / 0.86 lbs

FEATURES

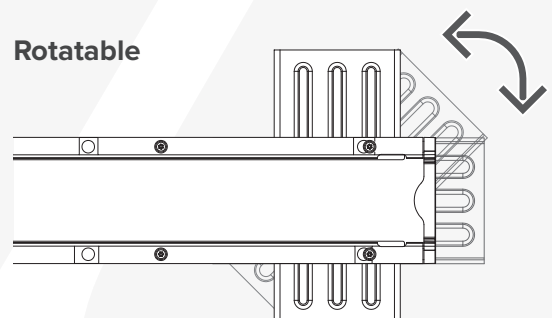
Removeable



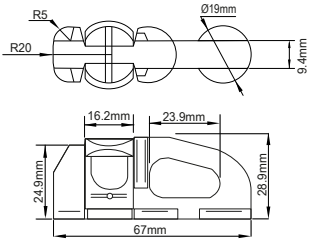
Tiltable



Rotatable

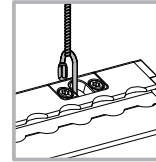
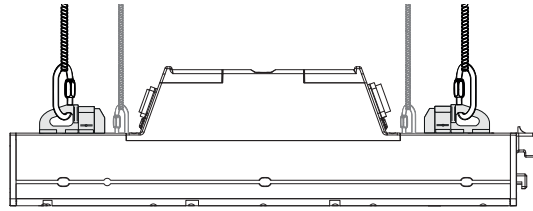


TrackHanger
AX-TH



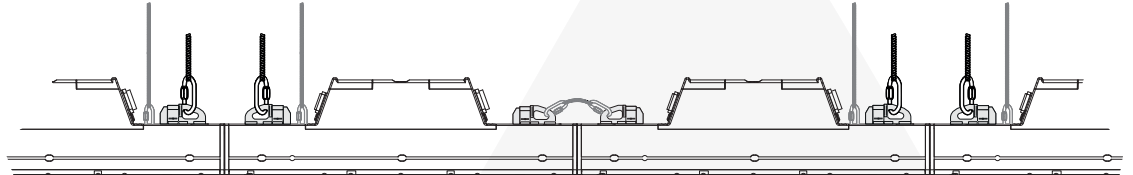
Weight: 125g / 0.27lbs

Hang with TrackHanger

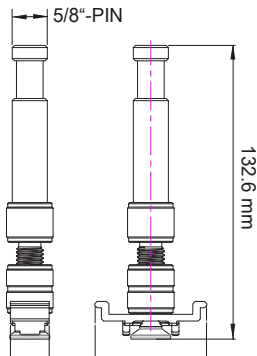


Please use **Safety rigging point**
Please check the safety regulations in your region.

Permitted way hanging/safeing several AX2

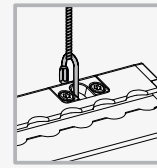
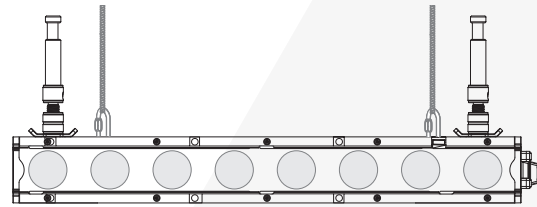


TrackPin
AX-TP



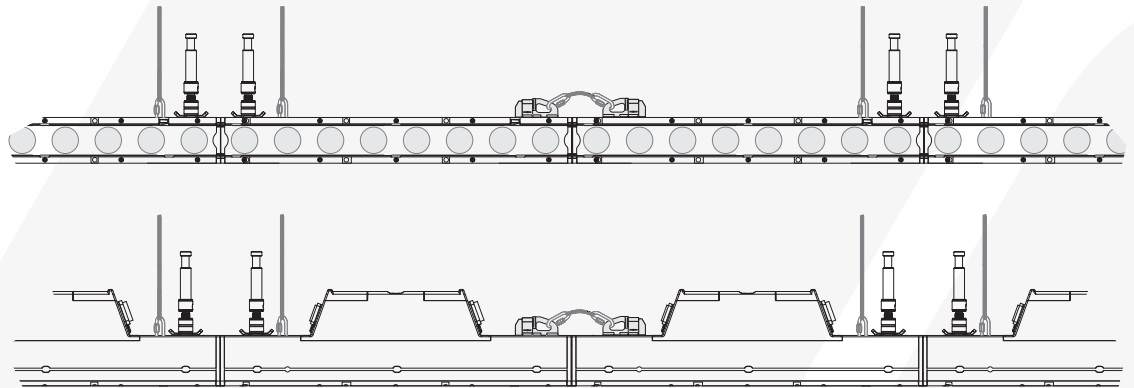
Weight: 238g / 0.52lbs

Mount with TrackPin



Please use **Safety rigging point**
Please check the safety regulations in your region.

Permitted way hanging/safeing several AX2



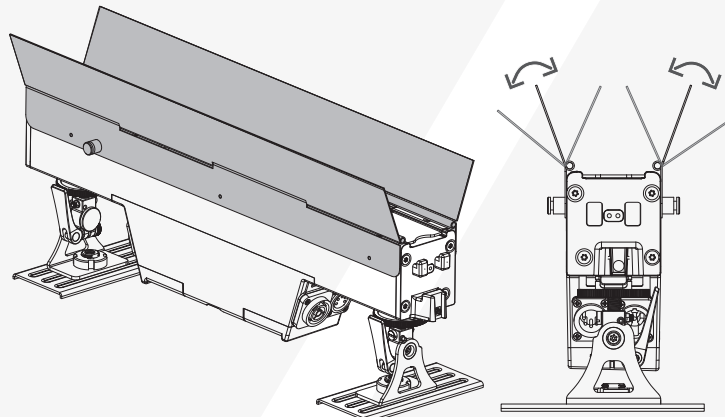
Barndoor

AX2-50-BD / AX2-100-BD
(Single units)



Weight (1pc): AX2-50 500g / 1.10lbs
AX2-100 990g / 2.18lbs

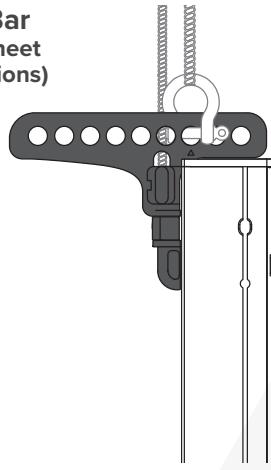
Control light shape with Barndoors



FlyBar
AX2-FB



Hang the AX2 with FlyBar
(please refer to FlyBar datasheet
for usage and safety instructions)



Jump Cable
AX2-JC

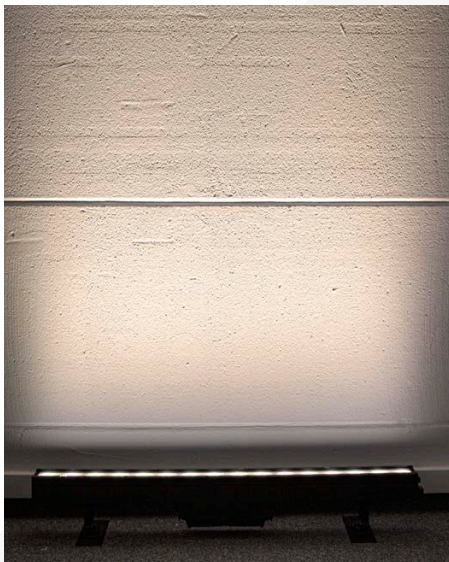


Charging Case
AX2-CHRCSE-50
AX2-CHRCSE-100

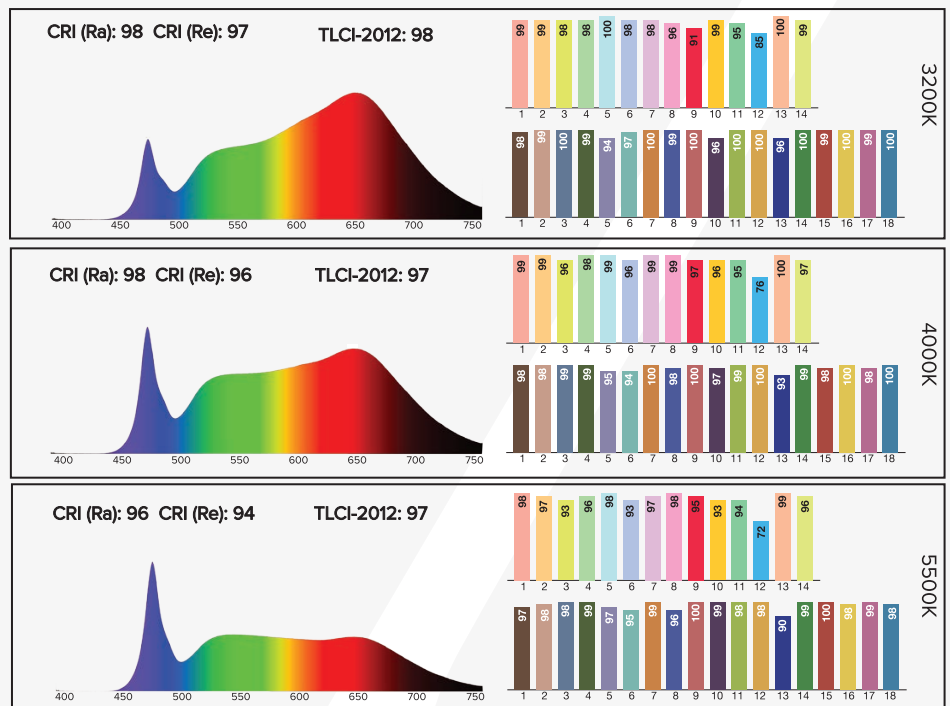
Coming soon!



**LIGHT OUTPUT
PERFECTLY MIXED**



TYPICAL SPECTRAS



Typical values