

KL PANEL



The **KL PANEL™** is a full-color-spectrum LED soft light providing high output, precise color rendering and even washes. Optimized for the tunable white light requirements of film and TV, it is an ideal light source for many situations requiring outstanding performance and color quality.

The KL PANEL incorporates a highly efficient 6-in-1 LED package that produces over 16,000 field lumens. Compact and portable, the fixture can be mounted on stands or suspended using the included Junior pin or any regular clamp. It is fully self-contained without the need for external power supplies.

Multiple protocol and control options provide fast and efficient operation in any situation. Direct control, remote DMX or Ethernet connections, as well as Elation's E-Fly wireless system, allow for flexibility of use.



KEY FEATURES

295W RGBWLC (Red, Green, Blue, White, Lime, Cyan) LED Array

CRI 95, CCT Adjustment from 2,000 to 10,000K

16,000 Total Lumen Fixture Output

Internal Power Supply with Power Pass-Through

24-36 VDC Battery Operation (battery not included)

DMX, RDM, Art-NET, and sACN Protocol Support

E-FLY™ Internal Extended Range Wireless DMX Transceiver

Stand-Alone Control with 3 Encoders and an OLED Display

Barndoor, Diffuser, Junior Pin (1 1/8" - 28mm) (all included)



Elation Professional USA
6122 S. Eastern Ave. | Los Angeles, CA, 90040
323-582-3322 | info@elationlighting.com

Elation Professional B.V.
Junostraat 2 | 6468 EW Kerkrade, The Netherlands
+31 45 546 85 66 | info@elationlighting.eu

Elation Professional Mexico
AV Santa Ana 30 | Parque Industrial Lerma, Lerma, Mexico 52000
+52 (728) 282-7070

ELATION KL PANEL | PRELIMINARY Technical Specifications

Specifications subject to change without notice ©Elation Professional 11/22/19

SOURCE

6-in-1 RGBWL (Red, Green, Blue, White, Lime, Cyan) LED Array
50,000 Hour Average LED Life*

*Test lab conditions. May vary depending on several factors including but not limited to:
Environmental Conditions, Power/Voltage, Usage Patterns (On-Off Cycling), Control, Dimming, and Lamp Mode.

PHOTOMETRIC DATA

16,000 Total Lumen Fixture Output
64° Beam Angle (with diffuser)

EFFECT

Color Temperature Control 2,000K - 10,000K
GreenShift Adjustment
Virtual Gel Library
Variable 16-bit Dimming Curve Modes
High Speed Electronic Shutter and Strobe
Remote Adjustable LED Refresh Rate Frequency (900-25kHz)

CONTROL / CONNECTIONS

9 DMX Channel Modes
3x Manual Adjustment Encoders
4 Button Control Panel and OLED Menu Display
DMX, RDM, Art-NET, sACN Protocol Support
E-FLY™ Internal Extended Range Wireless DMX Transceiver
Locking 5pin XLR Connector In/Out
Locking IP65 Power Connector In/Out
XLR 4pin External Battery Connection (battery not included)
USB Connection (Firmware Updates)

SIZE / WEIGHT

Length: 20.8" (528mm)
Width: 5.5" (140.5mm)
Height: 16.3" (415.2mm)
Weight: 28.6 lbs. (13 kg)

ELECTRICAL / THERMAL

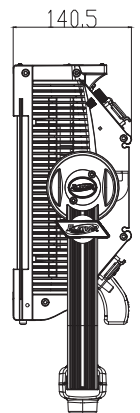
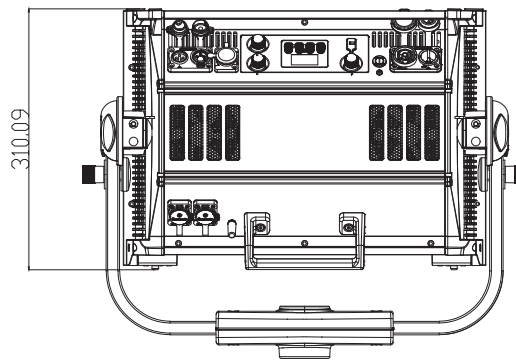
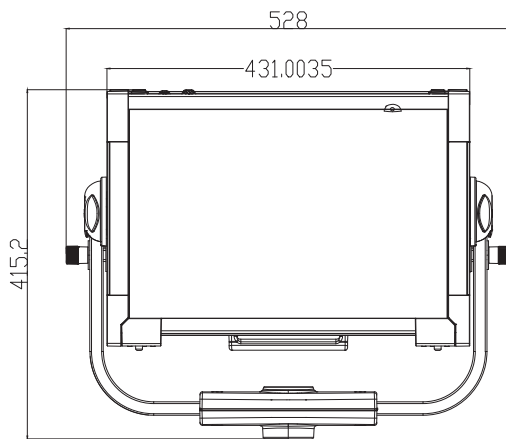
AC 100-240V - 50/60Hz
24-36 VDC (battery operation - battery not included)
Max Power Consumption 295W
14°F to 113°F (-10°C to 45°C)

APPROVALS / RATINGS

CE | cETLus (pending) | IP20

ORDERING INFORMATION

#KLP001 KL PANEL (US)
#1237000224 KL PANEL (EU)



Elation Professional USA
6122 S. Eastern Ave. | Los Angeles, CA, 90040
323-582-3322 | info@elationlighting.com

Elation Professional B.V.
Junostraat 2 | 6468 EW Kerkrade, The Netherlands
+31 45 546 85 66 | info@elationlighting.eu

Elation Professional Mexico
AV Santa Ana 30 | Parque Industrial Lerma, Lerma, Mexico 52000
+52 (728) 282-7070

*PRELIMINARY DRAWINGS NOT TO SCALE