



## **KL Panel**

User Manual

©2020 ELATION PROFESSIONAL all rights reserved. Information, specifications, diagrams, images, and instructions herein are subject to change without notice. ELATION PROFESSIONAL logo and identifying product names and numbers herein are trademarks of ELATION PROFESSIONAL. Copyright protection claimed includes all forms and matters of copyrightable materials and information now allowed by statutory or judicial law or hereinafter granted. Product names used in this document may be trademarks or registered trademarks of their respective companies and are hereby acknowledged. All non-ELATION brands and product names are trademarks or registered trademarks of their respective companies.

**ELATION PROFESSIONAL** and all affiliated companies hereby disclaim any and all liabilities for property, equipment, building, and electrical damages, injuries to any persons, and direct or indirect economic loss associated with the use or reliance of any information contained within this document, and/or as a result of the improper, unsafe, insufficient and negligent assembly, installation, rigging, and operation of this product.

**Elation Professional USA** | 6122 S. Eastern Ave. | Los Angeles, CA. 90040  
 323-582-3322 | 323-832-9142 fax | [www.elationlighting.com](http://www.elationlighting.com) | [info@elationlighting.com](mailto:info@elationlighting.com)

**Elation Professional B.V.** | Junostraat 2 | 6468 EW Kerkrade, The Netherlands  
 +31 45 546 85 66 | +31 45 546 85 96 fax | [www.elationlighting.eu](http://www.elationlighting.eu) | [info@elationlighting.eu](mailto:info@elationlighting.eu)

**Elation Professional Mexico** | AV Santa Ana 30 | Parque Industrial Lerma, Lerma, Mexico 52000  
 +52 (728) 282-7070

## DOCUMENT VERSION



Due to additional product features and/or enhancements, an updated version of this document may be available online. Please scan the QR Code with your mobile device or visit [www.elationlighting.com](http://www.elationlighting.com) for the latest revision/update of this manual, before installation and/or programming.

Date	Document Version	Software Version ≥	DMX Channel Modes	Notes
05/21/2020	1.0	1.01	1 / 4 / 5 / 7 / 10 / 13 / 20 CH 4 / 12 CH HSI	Initial release.
06/02/2020	1.1	1.01	No change.	Updated DMX functions.
06/16/2020	1.2	1.03	No change.	Updated System Menu.

# CONTENTS

General Information	4
Limited Warranty (USA Only)	5
Safety Guidelines	6
Maintenance Guidelines	8
Fixture Overview	9
Installation Instructions	10
System Menu	16
Manual Mode	19
DMX Channel Functions & Values	21
Dimmer Modes	35
CCT Table	36
Virtual Colors Table	37
Specifications	38
Dimensional Drawings	39
FCC Statement	41

# GENERAL INFORMATION

## INTRODUCTION

Please read and understand the instructions in this manual carefully and thoroughly before attempting to operate this device. These instructions contain important safety and use information.

## UNPACKING

Every device has been thoroughly tested and has been shipped in perfect operating condition. Carefully check the shipping carton for damage that may have occurred during shipping. If the carton is damaged, carefully inspect the device for damage, and be sure all accessories necessary to install and operate the device have arrived intact. In the event damage has been found or parts are missing, please contact our customer support team for further instructions. Please do not return this device to your dealer without first contacting customer support. Please do not discard the shipping carton in the trash. Please recycle whenever possible.

## BOX CONTENTS

Diffuser  
Barn Door Assembly  
Junior Pin (1<sup>1</sup>/<sub>8</sub> in. – 28mm) with Mounting Hardware  
Locking Power Cable

## CUSTOMER SUPPORT

Contact ELATION Service for any product related service and support needs. Also visit [forums.elationlighting.com](https://forums.elationlighting.com) with questions, comments or suggestions.

**ELATION SERVICE USA - Monday - Friday 8:00am to 4:30pm PST**  
323-582-3322 | Fax 323-832-9142 | [support@elationlighting.com](mailto:support@elationlighting.com)

**ELATION SERVICE EUROPE - Monday - Friday 08:30 to 17:00 CET**  
+31 45 546 85 63 | Fax +31 45 546 85 96 | [support@elationlighting.eu](mailto:support@elationlighting.eu)

**REPLACEMENT PARTS** please visit [parts.elationlighting.com](https://parts.elationlighting.com)



## IMPORTANT NOTICE!

**THERE ARE NO USER SERVICEABLE PARTS INSIDE THIS UNIT. DO NOT ATTEMPT ANY REPAIRS YOURSELF; DOING SO WILL VOID YOUR MANUFACTURER'S WARRANTY. DAMAGES RESULTING FROM MODIFICATIONS TO THIS FIXTURE AND/OR THE DISREGARD OF SAFETY INSTRUCTIONS AND GUIDELINES IN THIS MANUAL VOID THE MANUFACTURER'S WARRANTY AND ARE NOT SUBJECT TO ANY WARRANTY CLAIMS AND/OR REPAIRS.**

## **LIMITED WARRANTY (USA ONLY)**

A. Elation Professional hereby warrants, to the original purchaser, Elation Professional products to be free of manufacturing defects in material and workmanship for a period of two years (730 days), and Elation Professional product rechargeable batteries to be free of manufacturing defects in material and workmanship for a period of six months (180 days), from the original date of purchase. This warranty excludes discharge lamps and all product accessories. This warranty shall be valid only if the product is purchased within the United States of America, including possessions and territories. It is the owner's responsibility to establish the date and place of purchase by acceptable evidence, at the time service is sought. B. For warranty service, send the product only to the Elation Professional factory. All shipping charges must be pre-paid. If the requested repairs or service (including parts replacement) are within the terms of this warranty, Elation Professional will pay return shipping charges only to a designated point within the United States. If any product is sent, it must be shipped in its original package and packaging material. No accessories should be shipped with the product. If any accessories are shipped with the product, Elation Professional shall have no liability what so ever for loss and/or or damage to any such accessories, nor for the safe return thereof. C. This warranty is void if the product serial number and/or labels are altered or removed; if the product is modified in any manner which Elation Professional concludes, after inspection, affects the reliability of the product; if the product has been repaired or serviced by anyone other than the Elation Professional factory unless prior written authorization was issued to purchaser by Elation Professional; if the product is damaged because not properly maintained as set forth in the product instructions, guidelines and/or user manual. D. This is not a service contract, and this warranty does not include any maintenance, cleaning or periodic check-up. During the periods as specified above, Elation Professional will replace defective parts at its expense, and will absorb all expenses for warranty service and repair labor by reason of defects in material or workmanship. The sole responsibility of Elation Professional under this warranty shall be limited to the repair of the product, or replacement thereof, including parts, at the sole discretion of Elation Professional. All products covered by this warranty were manufactured after January 1, 1990, and bare identifying marks to that effect. E. Elation Professional reserves the right to make changes in design and/or performance improvements upon its products without any obligation to include these changes in any products theretofore manufactured. F. No warranty, whether expressed or implied, is given or made with respect to any accessory supplied with the products described above. Except to the extent prohibited by applicable law, all implied warranties made by Elation Professional in connection with this product, including warranties of merchantability or fitness, are limited in duration to the warranty periods set forth above. And no warranties, whether expressed or implied, including warranties of merchantability or fitness, shall apply to this product after said periods have expired. The consumer's and/or dealer's sole remedy shall be such repair or replacement as is expressly provided above; and under no circumstances shall Elation Professional be liable for any loss and/or damage, direct and/or consequential, arising out of the use of, and/or the inability to use, this product. G. This warranty is the only written warranty applicable to Elation Professional products and supersedes all prior warranties and written descriptions of warranty terms and conditions heretofore published.

### **WARRANTY RETURNS**

All returned service items whether under warranty or not, must be freight pre-paid and accompany a return authorization (R.A.) number. The R.A. number must be clearly written on the outside of the return package. A brief description of the problem as well as the R.A. number must also be written down on a piece of paper and included in the shipping container. If the unit is under warranty, you must provide a copy of your proof of purchase invoice. Items returned without a R.A. number clearly marked on the outside of the package will be refused and returned at customer's expense. You may obtain a R.A. number by contacting customer support.

# SAFETY GUIDELINES

This fixture is a sophisticated piece of electronic equipment. To guarantee smooth operation, it is important to follow all instructions and guidelines in this manual. Elation Professional is not responsible for injury and/or damages resulting from the misuse of this fixture due to the disregard of the information printed in this manual. Only qualified and/or certified personnel should perform installation of this fixture and only the original rigging parts included with this fixture should be used for installation. Any modifications to the fixture and/or the included mounting hardware will void the original manufacturer's warranty and increase the risk of damage and/or personal injury.



## **PROTECTION CLASS 1 - FIXTURE MUST BE PROPERLY GROUNDED**



**THERE ARE NO USER SERVICEABLE PARTS INSIDE THIS UNIT. DO NOT ATTEMPT ANY REPAIRS YOURSELF; DOING SO WILL VOID YOUR MANUFACTURER'S WARRANTY. DAMAGES RESULTING FROM MODIFICATIONS TO THIS FIXTURE AND/OR THE DISREGARD OF SAFETY INSTRUCTIONS AND GUIDELINES IN THIS MANUAL VOID THE MANUFACTURER'S WARRANTY AND ARE NOT SUBJECT TO ANY WARRANTY CLAIMS AND/OR REPAIRS.**



**DO NOT PLUG FIXTURE INTO A DIMMER PACK!  
NEVER OPEN THIS FIXTURE WHILE IN USE!  
UNPLUG POWER BEFORE SERVICING FIXTURE!  
NEVER TOUCH FIXTURE DURING OPERATION, AS IT MAY BE HOT!  
KEEP FLAMMABLE MATERIALS AWAY FROM FIXTURE!**



**NEVER LOOK DIRECTLY INTO THE LIGHT SOURCE!  
RETINA INJURY RISK - MAY INDUCE BLINDNESS!  
SENSITIVE PERSONS MAY SUFFER AN EPILEPTIC SHOCK!**



**INDOOR / DRY LOCATIONS USE ONLY!  
DO NOT EXPOSE FIXTURE TO RAIN AND MOISTURE!**

## **S A F E T Y   G U I D E L I N E S**

**DO NOT TOUCH** the fixture housing during operation. Turn OFF the power and allow approximately 15 minutes for the fixture to cool down before serving.

**DO NOT** shake fixture, and avoid brute force when installing and/or operating fixture.

**DO NOT** operate fixture if the power cord is frayed, crimped, damaged and/or if any of the power cord connectors are damaged and do not insert into the fixture securely with ease.

**NEVER** force a power cord connector into the fixture. If the power cord or any of its connectors are damaged, replace it immediately with a new one of similar power rating.

**DO NOT** block any air ventilation slots.

All fan and air inlets must remain clean and never blocked.

Allow approx. 6" (15cm) between fixture and other devices or a wall for proper cooling.

When installing fixture in a suspended environment, always use mounting hardware that is no less than M10 x 25 mm, and always install fixture with an appropriately rated safety cable.

Always disconnect fixture from main power source before performing any type of service and/or cleaning procedure. Only handle the power cord by the plug end, never pull out the plug by tugging the wire portion of the cord.

During the initial operation of this fixture, a light smoke or smell may emit from the interior of the fixture. This is a normal process and is caused by excess paint in the interior of the casing burning off from the heat associated with the lamp and will decrease gradually over time.

Consistent operational breaks will ensure fixture will function properly for many years.

**ONLY** use the original packaging and materials to transport the fixture for service.

# MAINTENANCE GUIDELINES



**DISCONNECT POWER BEFORE PERFORMING ANY MAINTENANCE!**

## CLEANING

Frequent cleaning is recommended to insure proper function, optimized light output, and an extended life. The frequency of cleaning depends on the environment in which the fixture operates: damp, smoky or particularly dirty environments can cause greater accumulation of dirt on the fixture's optics. Clean the external lens surface periodically with a soft cloth to avoid dirt/debris accumulation.

**NEVER** use alcohol, solvents, or ammonia-based cleaners.

## MAINTENANCE

Regular inspections are recommended to ensure proper function and extended life.

There are no user serviceable parts inside this fixture, please refer all other service issues to an authorized Elation service technician. Should you need any spare parts, please order genuine parts from your local Elation dealer.

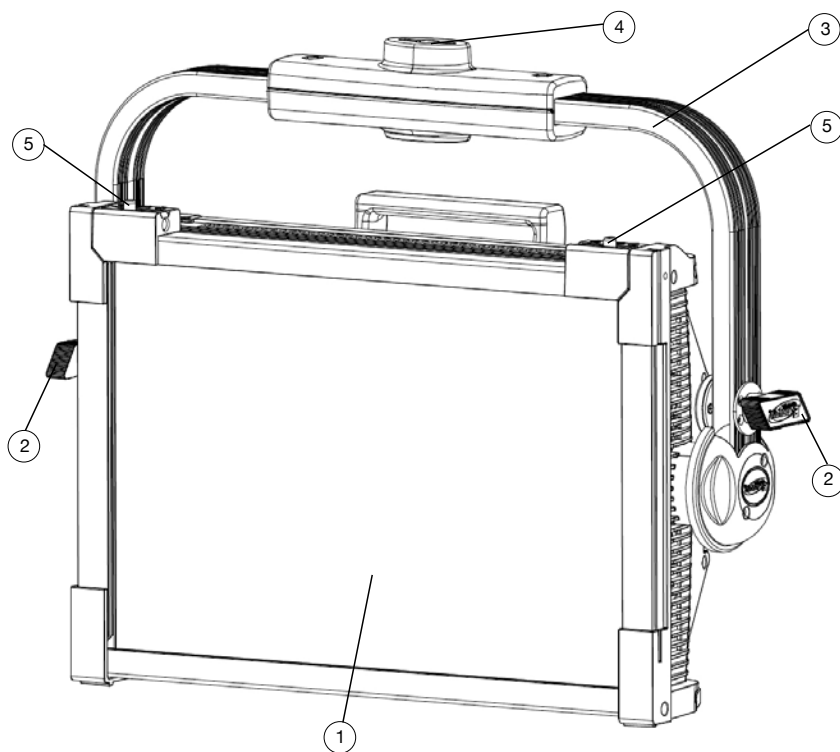
Please refer to the following points during routine inspections:

- A detailed electrical check by an approved electrical engineer every three months, to make sure the circuit contacts are in good condition in order to prevent overheating.
- Be sure all screws and fasteners are securely tightened at all times. Loose screws may fall out during normal operation, resulting in damage or injury as larger parts could fall.
- Check for any deformations on the housing, color lenses, rigging hardware and rigging points (ceiling, suspension, trussing). Deformations in the housing could allow for dust to enter into the fixture. Damaged rigging points or unsecured rigging could cause the fixture to fall and seriously injure a person(s).
- Electric power supply cables must not show any damage, material fatigue, or sediments.

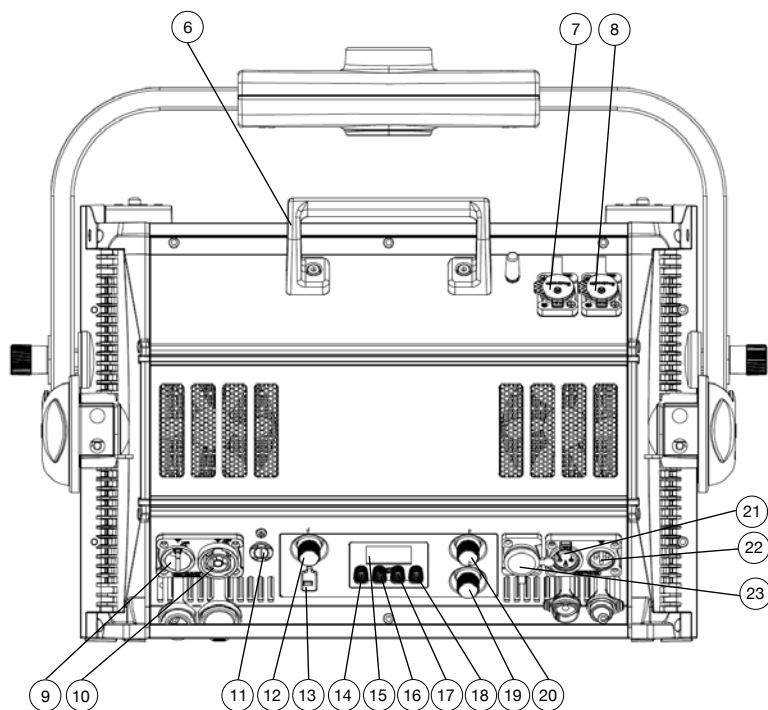
**NEVER** remove the ground prong from the power cable.



# FIXTURE OVERVIEW



1. Removable Diffuser
2. Yoke Adjustment Knob
3. Mounting Yoke
4. Clamp Mounting Point
5. Diffuser Frame Lock Tab



6. Carry Handle
7. Network In Connection
8. Network Out Connection
9. Power In Connection
10. Power Out Connection
11. Fuse – T6.3A / 250V
12. Encoder Knob 1
13. Service Port
14. Mode Button
15. Display Screen
16. Down Button
17. Up Button
18. Enter Button
19. Encoder Knob 3
20. Encoder Knob 2
21. DMX Out Connection
22. DMX In Connection
23. Battery Port

# INSTALLATION INSTRUCTIONS



## **FLAMMABLE MATERIAL WARNING**

Keep fixture minimum 5.0 feet (1.5m) away from flammable materials and/or pyrotechnics.



## **ELECTRICAL CONNECTIONS**

A qualified electrician should be used for all electrical connections and/or installations.



**USE CAUTION WHEN POWER LINKING OTHER MODEL FIXTURES AS THE POWER CONSUMPTION OF OTHER MODEL FIXTURES MAY EXCEED THE MAX POWER OUTPUT ON THIS FIXTURE. CHECK SILK SCREEN FOR MAX AMPS.**



**DO NOT INSTALL THE FIXTURE IF YOU ARE NOT QUALIFIED TO DO SO!**

Fixture **MUST** be installed following all local, national, and country commercial electrical and construction codes and regulations.

Before rigging/mounting a single fixture or multiple interconnected fixtures for custom matrix designs to any metal truss/structure or placing the fixture(s) on any surface, a professional equipment installer **MUST** be consulted to determine if the metal truss/structure or surface is properly certified to safely hold the combined weight of the fixture(s), clamps, cables, and accessories.

Maximum fixture ambient operating temperature is **113°F (45°C)**.

Do not operate this fixture when ambient temperature exceeds this rating.

Fixture(s) should be installed in areas outside walking paths, seating areas, or away from areas where unauthorized personnel might reach the fixture by hand.

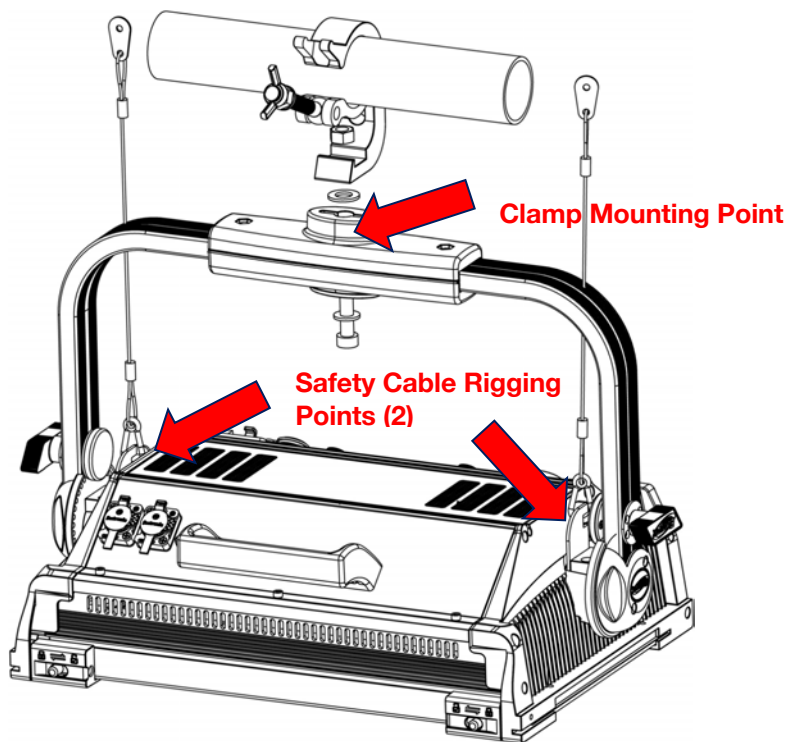
**NEVER** stand directly below the fixture(s) when rigging, removing or servicing.

Overhead fixture installation must always be secured with a secondary safety attachment, such as an appropriately rated safety cable that meets all local, national, and country codes and regulations. Allow approximately 15 minutes for the fixture to cool down before servicing.

# INSTALLATION INSTRUCTIONS

## CLAMP INSTALLATION

This fixture includes an adjustable mounting yoke with an integrated clamp mounting point, as well as two (2) safety cable rigging points attached to the body of the fixture (see the illustration below). When mounting this fixture to truss, be sure to secure an appropriately rated clamp (not included) to the clamp mounting point on the yoke and attach a separate **SAFETY CABLE** of the appropriate rating to each safety cable rigging point on the fixture.



## SAFETY CABLE

**ALWAYS ATTACH A SAFETY CABLE  
WHENEVER INSTALLING THIS  
FIXTURE IN A SUSPENDED  
ENVIRONMENT TO ENSURE THE  
FIXTURE WILL NOT DROP IF THE  
CLAMP FAILS.**

## RIGGING

Overhead rigging requires extensive experience, including amongst others calculating working load limits, understanding the installation material being used, and periodic safety inspection of all installation material and the fixture. If you lack these qualifications, do not attempt the installation yourself. Improper installation can result in bodily injury.

# INSTALLATION INSTRUCTIONS

## BARN DOOR



1. Unlock both diffuser frame lock tabs using the latches located on each tab. Flip the top edge of the frame upward.



2. The inner frame of the fixture contains an empty mounting slot located just in front of the removable diffuser. Align the mounting rail on the rear of the barn door with this empty mounting slot, and slowly lower the barn door into place.

# INSTALLATION INSTRUCTIONS

## BARN DOOR



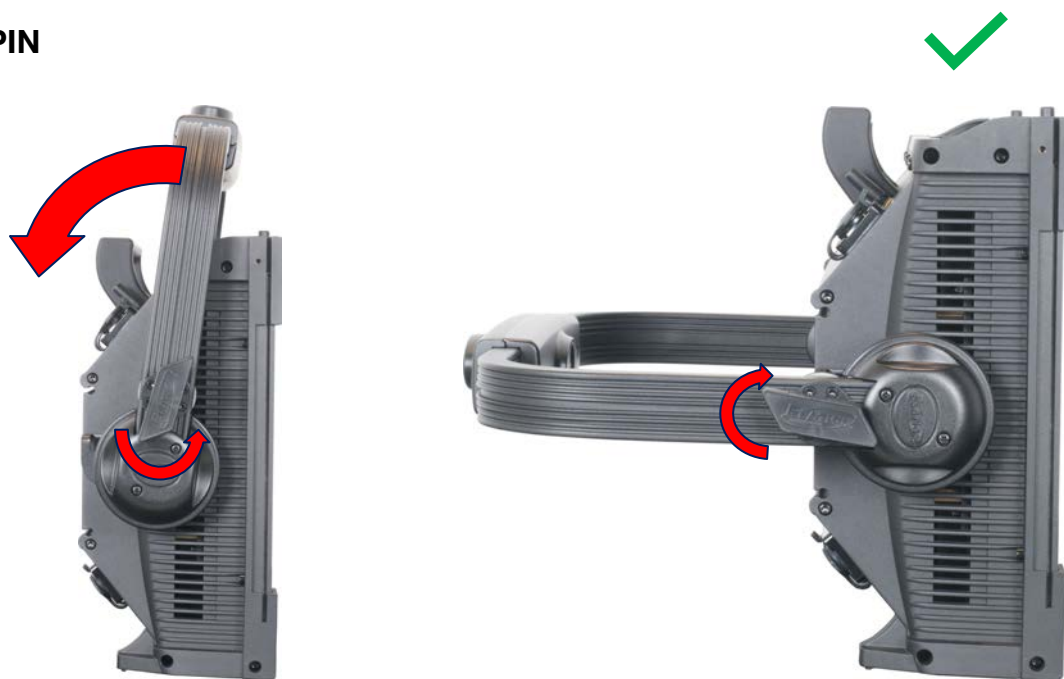
3. Flip the top edge of the frame downwards, and engage the lock tabs.



4. Flip the four (4) barn door segments outward. Note that the left and right barn door segments can be expanded by pulling upwards or downwards on the thumb tabs.

# INSTALLATION INSTRUCTIONS

## JUNIOR PIN



1. Loosen the yoke adjustment knobs, and adjust the mounting yoke to a position that allows access to both the top and bottom sides of the yoke. Re-tighten the yoke adjustment knobs to lock the yoke in position.



2. Locate the notched face of the junior pin, and hold it against the clamp mounting point located on the top side of the yoke. **The notched surface of the junior pin must sit flush against the matching groove on the surface of the clamp mounting point.**

# INSTALLATION INSTRUCTIONS

## JUNIOR PIN

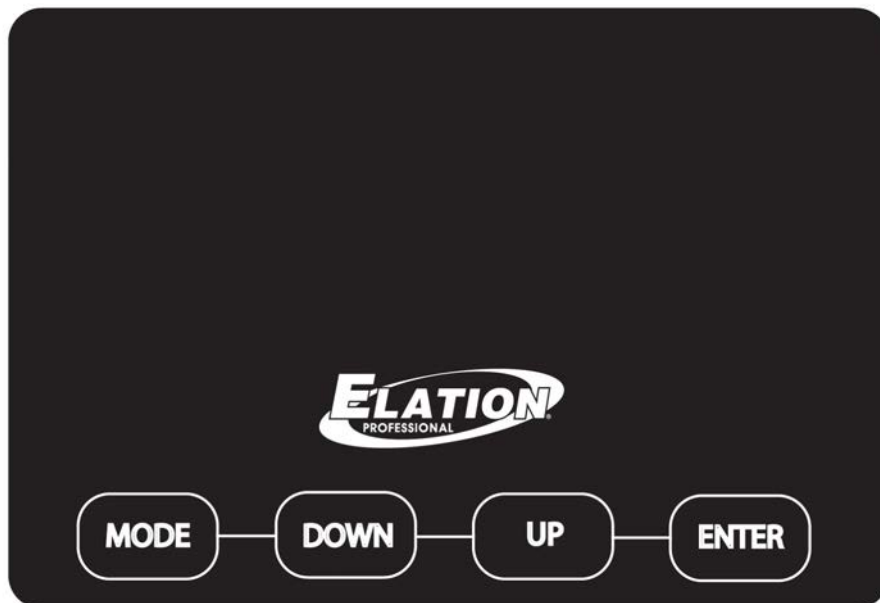


3. Thread the junior pin bolt in through the under side of the mounting yoke, making sure that the bolt engages the threaded hole in the junior pin. Tighten securely with a 10mm hex key. The junior pin is now ready for attachment to a clamp or stand.

# SYSTEM MENU

The fixture includes an easy to navigate system menu. The control panel (see image below) located on the back of the fixture provides access to the main system menu, where all necessary system adjustments are made. During normal operation, pressing **MODE** button once will access the fixture's main menu. Once in the main menu you can navigate through the different functions and access the sub-menus with the **UP** and **DOWN** buttons. Once you reach a field that requires adjusting, press the **ENTER** button to activate that field and use the **UP** and **DOWN** buttons to adjust the field. Pressing the **ENTER** button once more will confirm your setting. You may exit the main menu at any time without making any adjustments by pressing the **MODE** button.

The display screen can be locked by selecting **PERSONALITY → DISPLAY → SCREEN LOCK**. To unlock the display screen, simply press and hold the **MODE** button for three (3) seconds.





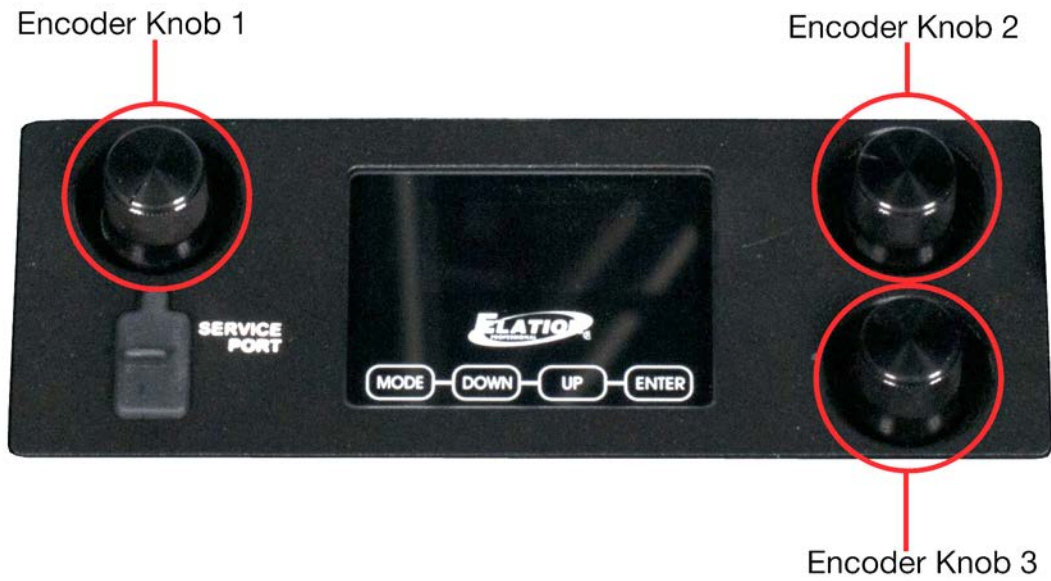
# SYSTEM MENU

Elation KL Panel System Menu				
Supports Software Versions: 1.03				
<b>MANUAL MODE</b>	Disabled	See <b>Manual Mode</b> section for details		
	Int CCT Grn			
	HSI			
	Int Color Sat			
	Manual Control			
<b>DMX SETTINGS</b>	DMX Address	001 – 512		
	DMX Mode	1-CH Dimmer		
		4-CH Dimmer Color		
		7-CH Dimmer Color FX		
		6-CH RGBWLC		
		12-CH RGBWLC 16-Bit		
		14-CH Standard		
		23-CH Extended		
		4-CH HSI		
	No DMX Status	12-CH HSI Extended		
Hold Last				
Fade to Black				
<b>STANDALONE</b>	Standalone			
	Dimmer	0 – 100%		
	CCT	2500 – 10000K		
	Green Shift	-100% ~ +100%		
	Virtual Color	Color01	See Color Table	
		Color02		
...				
Color60				
<b>PERSONALITY</b>	Master	On / Off		
	Slave	On / Off		
	Select Signal	DMX or E-Fly		
		E-Fly and DMX Out		
	Dim Mode	Standard		
		Stage		
		TV		
		Architectural		
		Theatre		
		Stage2		
		Dim Speed (0.0s ~ 10.0s)		
	Dim Curves	Linear		
		Square		
		Square Inverse		
		S-Curve		
E-Fly Setting	Set Channel	00 – 14		
	Enable E-Fly	Yes / No		
<i>CONTINUED ON NEXT PAGE</i>				

<b>PERSONALITY</b> (continued from prev page)	LED Refresh Rate	900 – 1500 Hz	
		2500 Hz	
		4000 Hz	
		5000 Hz	
		6000 Hz	
		10 KHz	
		15 KHz	
		20 KHz	
		25 KHz	
	LED Power Limit	50%	
		60%	
		70%	
		80%	
		90%	
		100%	
	Fan Mode	Auto	
		Silent	
		High	
	Display	Screen Delay	3 – 10s
		Screen Lock	<b>Note: To unlock screen, press and hold MODE button for 3 seconds.</b>
		Rotate Display 180°	Yes / No / Auto
	Network	Switch	On / Off
		Univers	0 – 255
		IP	
		Subnet	
		Protocol	ArtNet / KlingNet
	Service (Passcode: 050)	Calibration	Red: 50 – 255
Green: 50 – 255			
Blue: 50 – 255			
Lime: 50 – 255			
White: 50 – 255			
Cyan: 50 – 255			
Update Software		Yes / No	
Factory Restore	Yes / No		
Edit RDIM UID			
<b>INFORMATION</b>	Life Time		
	Last Run Time		
	Time Reset (Passcode: 038)		
	Temperatures	Current	
		Max Resettable	
		Max Unresettable	
		Reset (Passcode: 038)	
	DMX Values		
	Product ID's	Mac Address	
		RDM UID	
	Error Logs	Fixture Errors	
Reset Error Log (Passcode: 050)	Yes / No		
Software Version			

# MANUAL MODE

## ENCODER KNOB DESIGNATIONS



## INT CCT GRN (INTENSITY, COLOR TEMPERATURE, GREEN SHIFT)

Elation KL Panel Manual Mode				
Supports Software Versions: 1.03				
Encoder Knob	Parameter	Display	Resolution/ Steps	Default
1	Intensity	Intensity 0-100%	1%	0%
2	Color Temperature	CCT 2000 – 10000K	100K	6000K
3	Green Shift	GRN -100% to +100%	1%	Neutral

## HSI (HUE, SATURATION, INTENSITY)

Elation KL Panel Manual Mode				
Supports Software Versions: 1.03				
Encoder Knob	Parameter	Display	Resolution/ Steps	Default
1	Intensity	Intensity 0-100%	1%	0%
2	Hue	Hue 0 – 360°	1°	0°
3	Saturation	Sat 0 – 100%	1%	100%

# MANUAL MODE

## INT COL SAT (INTENSITY, COLOR, SATURATION)

Elation KL Panel Manual Mode				
Supports Software Versions: 1.03				
Encoder Knob	Parameter	Display	Resolution/ Steps	Default
1	Intensity	Intensity 0-100%	1%	0%
2	Color	White, Virtual Color 1, 2, 3, 4...	Single Color	White
3	Saturation	Sat 0 – 100%	1%	100%

## MANUAL

Elation KL Panel Manual Mode				
Supports Software Versions: 1.03				
Encoder Knob	Parameter	Display	Resolution/ Steps	Default
1	Intensity	Intensity 0-100%	1%	0%
2	Setting Adjustment	[Setting Name] 0 – 255	1	0
3	Setting Selection	[Setting Name] 0 – 255	Strobe / Red / Green / Blue / White / Lime/ Cyan	Strobe

# DMX CHANNEL FUNCTIONS AND VALUES

## 1-CH DIMMER MODE

Elation KL Panel DMX Channels / Functions				
Supports Software Versions: 1.03				
Channel	Value	Function	Default	Snap
1	0 – 255	Dimmer Intensity, 0 to 100%	0	

## 4-CH DIMMER COLOR MODE

Elation KL Panel DMX Channels / Functions				
Supports Software Versions: 1.03				
Channel	Value	Function	Default	Snap
1	0 – 255	Dimmer Intensity, 0 to 100%	0	
2	0 – 255	Dimmer Fine	0	
3	<b>CCT</b>		0	
	0 – 19	Open		
	20 – 100	CCT 2000K – 10000K (see CCT Table)		
	101 – 255	10000K		
4	<b>Color Wheel</b>		0	
	0	Open		
	1 – 179	Virtual Swatch Book (see Virtual Colors Table)		
	<i>Color Scroll</i>			
	180 – 201	Clockwise, Fast to Slow		
	202 – 207	Stop		
	208 – 229	Counter-clockwise, Slow to Fast		
	230 – 234	Open		
	<i>Random Color Scroll</i>			
	235 – 239	Fast		
	240 – 244	Medium		
	245 – 249	Slow		
250 – 255	Open			

## 7-CH DIMMER COLOR FX MODE

Elation KL Panel DMX Channels / Functions				
Supports Software Versions: <b>1.03</b>				
Channel	Value	Function	Default	Snap
1	0 – 255	Dimmer Intensity, 0 to 100%	0	
2	0 – 255	Dimmer Fine	0	
3	<b>CCT</b>		0	
	0 – 19	Open		
	20 – 100	CCT 2000K – 10000K (see CCT Table)		
	101 – 255	10000K		
4	<b>Color Wheel</b>		0	
	0	Open		
	1 – 179	Virtual Swatch Book (see Virtual Colors Table)		
	<i>Color Scroll</i>			
	180 – 201	Clockwise, Fast to Slow		
	202 – 207	Stop		
	208 – 229	Counter-clockwise, Slow to Fast		
	230 – 234	Open		
	<i>Random Color Scroll</i>			
	235 – 239	Fast		
	240 – 244	Medium		
	245 – 249	Slow		
	250 – 255	Open		
	5	0 – 255		
6	0 – 255	FX Adjustment	127	Fade
7	<b>FX Offset</b>		0	Snap
	0	Idle		
	1	Fixture Offset, 10°		
	2	Fixture Offset, 20°		
	...	...		
	35	Fixture Offset, 350°		
	36	Synchronized		
	37 – 100	No Function		
	101 – 120	Random Fixture Offset		
	121 – 140	Random Pixel Order		
141 – 255	Random Steps			

\*Internal FX currently are not implemented.

## 6-CH RGBWLC MODE

Elation KL Panel DMX Channels / Functions				
Supports Software Versions: <b>1.03</b>				
Channel	Value	Function	Default	Snap
1	0 – 255	Red, 0 to 100%	0	
2	0 – 255	Green, 0 to 100%	0	
3	0 – 255	Blue, 0 to 100%	0	
4	0 – 255	White, 0 to 100%	0	
5	0 – 255	Lime, 0 to 100%	0	
6	0 – 255	Cyan, 0 to 100%	0	

## 12-CH RGBWLC 16-BIT MODE

Elation KL Panel DMX Channels / Functions				
Supports Software Versions: 1.03				
Channel	Value	Function	Default	Snap
1	0 – 255	Red, 0 to 100%	0	
2	0 – 255	Red Fine, 0 to 100%	0	
3	0 – 255	Green, 0 to 100%	0	
4	0 – 255	Green Fine, 0 to 100%	0	
5	0 – 255	Blue, 0 to 100%	0	
6	0 – 255	Blue Fine, 0 to 100%	0	
7	0 – 255	White, 0 to 100%	0	
8	0 – 255	White Fine, 0 to 100%	0	
9	0 – 255	Lime, 0 to 100%	0	
10	0 – 255	Lime Fine, 0 to 100%	0	
11	0 – 255	Cyan, 0 to 100%	0	
12	0 – 255	Cyan Fine, 0 to 100%	0	

## 14-CH STANDARD MODE

Elation KL Panel DMX Channels / Functions				
Supports Software Versions: 1.03				
Channel	Value	Function	Default	Snap
1	<b>Strobe</b>		50	Snap
	0 – 31	Shutter Closed		
	32 – 63	No Function (Shutter Open)		
	64 – 95	Strobe Effect, Slow to Fast		
	96 – 127	No Function (Shutter Open)		
	128 – 159	Pulse Effect in Sequences		
	160 – 191	No Function (Shutter Open)		
	192 – 223	Random Strobe Effect, Slow to Fast		
224 – 255	No Function (Shutter Open)			
2	0 – 255	Dimmer Intensity, 0 to 100%	0	
3	0 – 255	Dimmer Fine	0	
4	0 – 255	Red, 0 to 100%	0	
5	0 – 255	Green, 0 to 100%	0	
6	0 – 255	Blue, 0 to 100%	0	
7	<b>CCT</b>		0	
	0 – 19	Open		
	20 – 100	CCT 2000K – 10000K (see CCT Table)		
	101 – 255	10000K		
8	<b>Green Shift</b>		0	
	0	Idle		
	1 – 127	Full Minus Green to Neutral		
	128	Neutral White		
	129 – 255	Neutral to Full Plus Green		
<i>CONTINUED ON NEXT PAGE</i>				

Channel	Value	Function	Default	Snap
9	<b>Color Wheel</b>		0	
	0	Open		
	1 – 179	Virtual Swatch Book (see Virtual Colors Table)		
	<i>Color Scroll</i>			
	180 – 201	Clockwise, Fast to Slow		
	202 – 207	Stop		
	208 – 229	Counter-clockwise, Slow to Fast		
	230 – 234	Open		
	<i>Random Color Scroll</i>			
	235 – 239	Fast		
	240 – 244	Medium		
	245 – 249	Slow		
	250 – 255	Open		
10	<b>Dim Modes</b>		0	Snap
	0 – 20	Standard		
	21 – 40	Stage		
	41 – 60	TV		
	61 – 80	Architectural		
	81 – 100	Theatre		
	101 – 120	Stage 2		
	<i>Dimmer Display Time</i>			
	121	0 s		
	122	0.1 s		
	123	0.2 s		
	124	0.3 s		
	125	0.4 s		
	126	0.5 s		
	127	0.6 s		
	128	0.7 s		
	129	0.8 s		
	130	0.9 s		
	131	1.0 s		
	132	1.5 s		
	133	2.0 s		
	134	3.0 s		
	135	4.0 s		
	136	5.0 s		
	137	6.0 s		
	138	7.0 s		
	139	8.0 s		
140	9.0 s			
141	10.0 s			
142 – 255	Idle			
11	<b>Control</b>		0	Snap
	0 – 29	Idle		
	30 – 39	Fan Mode Auto		
	40 – 49	Fan Mode Silent		
	50 – 59	Fan Mode High		
	60 – 79	Idle		
	80 – 84	Reset		
85 – 99	Idle			
<i>CONTINUED ON NEXT PAGE</i>				



Channel	Value	Function	Default	Snap
11 (continued from prev page)	<i>Refresh Rate</i>		0	Snap
	100	900 Hz		
	101	910 Hz		
	102	920 Hz		
	103	930 Hz		
	104	940 Hz		
	105	950 Hz		
	106	960 Hz		
	107	970 Hz		
	108	980 Hz		
	109	990 Hz		
	110	1000 Hz		
	111	1010 Hz		
	112	1020 Hz		
	113	1030 Hz		
	114	1040 Hz		
	115	1050 Hz		
	116	1060 Hz		
	117	1070 Hz		
	118	1080 Hz		
	119	1090 Hz		
	120	1100 Hz		
	121	1110 Hz		
	122	1120 Hz		
	123	1130 Hz		
	124	1140 Hz		
	125	1150 Hz		
	126	1160 Hz		
	127	1170 Hz		
	128	1180 Hz		
129	1190 Hz			
130	1200 Hz			
131	1210 Hz			
132	1220 Hz			
133	1230 Hz			
134	1240 Hz			
135	1250 Hz			
136	1260 Hz			
137	1270 Hz			
138	1280 Hz			
139	1290 Hz			
140	1300 Hz			
141	1310 Hz			
142	1320 Hz			
143	1330 Hz			
144	1340 Hz			
145	1350 Hz			
146	1360 Hz			
147	1370 Hz			
148	1380 Hz			
149	1390 Hz			

CONTINUED ON NEXT PAGE

Channel	Value	Function	Default	Snap
11 (continued from prev page)	<i>Refresh Rate (continued from prev page)</i>		0	Snap
	150	1400 Hz		
	151	1410 Hz		
	152	1420 Hz		
	153	1430 Hz		
	154	1440 Hz		
	155	1450 Hz		
	156	1460 Hz		
	157	1470 Hz		
	158	1480 Hz		
	159	1490 Hz		
	160	1500 Hz		
	161	2500 Hz		
	162	4000 Hz		
	163	5000 Hz		
	164	6000 Hz		
	165	10000 Hz		
	166	15000 Hz		
	167	20000 Hz		
	168	25000 Hz		
	169 – 200	Idle		
	201 – 210	Dimmer Curve Linear (default)		
	211 – 220	Dimmer Curve Square		
	221 – 230	Dimmer Curve Inverse Square		
	231 – 240	Dimmer Curve S-Curve		
	241	Internal Program 1 (Scene 1 – 8)		
	242	Internal Program 2 (Scene 9 – 16)		
	243	Internal Program 3 (Scene 17 – 24)		
	244	Internal Program 4 (Scene 25 – 32)		
245	Internal Program 5 (Scene 33 – 40)			
246	Internal Program 6 (Scene 41 – 48)			
247	Internal Program 7 (Scene 49 – 56)			
248 – 255	Idle			
12	0 – 255	FX Selection*	0	Snap
13	0 – 255	FX Adjustment	127	Fade
14	<b>FX Offset</b>		0	Snap
	0	Idle		
	1	Fixture Offset, 10°		
	2	Fixture Offset, 20°		
	...	...		
	35	Fixture Offset, 350°		
	36	Synchronized		
	37 – 100	No Function		
	101 – 120	Random Fixture Offset		
	121 – 140	Random Pixel Order		
	141 – 255	Random Steps		

\*Internal FX currently are not implemented.

## 23-CH EXTENDED MODE

Elation KL Panel DMX Channels / Functions				
Supports Software Versions: 1.03				
Channel	Value	Function	Default	Snap
1	<b>Strobe</b>		50	Snap
	0 – 31	Shutter Closed		
	32 – 63	No Function (Shutter Open)		
	64 – 95	Strobe Effect, Slow to Fast		
	96 – 127	No Function (Shutter Open)		
	128 – 159	Pulse Effect in Sequences		
	160 – 191	No Function (Shutter Open)		
	192 – 223	Random Strobe Effect, Slow to Fast		
224 – 255	No Function (Shutter Open)			
2	0 – 255	Dimmer Intensity, 0 to 100%	0	
3	0 – 255	Dimmer Fine	0	
4	0 – 255	Red, 0 to 100%	0	
5	0 – 255	Red Fine, 0 to 100%	0	
6	0 – 255	Green, 0 to 100%	0	
7	0 – 255	Green Fine, 0 to 100%	0	
8	0 – 255	Blue, 0 to 100%	0	
9	0 – 255	Blue Fine, 0 to 100%	0	
10	0 – 255	White, 0 to 100%	0	
11	0 – 255	White Fine, 0 to 100%	0	
12	0 – 255	Lime, 0 to 100%	0	
13	0 – 255	Lime Fine, 0 to 100%	0	
14	0 – 255	Cyan, 0 to 100%	0	
15	0 – 255	Cyan Fine, 0 to 100%	0	
16	<b>CCT</b>		0	
	0 – 19	Open		
	20 – 100	CCT 2000K – 10000K (see CCT Table)		
	101 – 255	10000K		
17	<b>Green Shift</b>		0	
	0	Idle		
	1 – 127	Full Minus Green to Neutral		
	128	Neutral White		
129 – 255	Neutral to Full Plus Green			
18	<b>Color Wheel</b>		0	
	0	Open		
	1 – 179	Virtual Swatch Book (see Virtual Colors Table)		
	<i>Color Scroll</i>			
	180 – 201	Clockwise, Fast to Slow		
	202 – 207	Stop		
	208 – 229	Counter-clockwise, Slow to Fast		
	230 – 234	Open		
	<i>Random Color Scroll</i>			
	235 – 239	Fast		
	240 – 244	Medium		
	245 – 249	Slow		
	250 – 255	Open		
CONTINUED ON NEXT PAGE				

Channel	Value	Function	Default	Snap
19	<b>Dim Modes</b>		0	Snap
	0 – 20	Standard		
	21 – 40	Stage		
	41 – 60	TV		
	61 – 80	Architectural		
	81 – 100	Theatre		
	101 – 120	Stage 2		
	<i>Dimmer Display Time</i>			
	121	0 s		
	122	0.1 s		
	123	0.2 s		
	124	0.3 s		
	125	0.4 s		
	126	0.5 s		
	127	0.6 s		
	128	0.7 s		
	129	0.8 s		
	130	0.9 s		
	131	1.0 s		
	132	1.5 s		
	133	2.0 s		
	134	3.0 s		
	135	4.0 s		
	136	5.0 s		
	137	6.0 s		
	138	7.0 s		
	139	8.0 s		
140	9.0 s			
141	10.0 s			
142 – 255	Idle			
20	<b>Control</b>		0	Snap
	0 – 29	Idle		
	30 – 39	Fan Mode Auto		
	40 – 49	Fan Mode Silent		
	50 – 59	Fan Mode High		
	60 – 79	Idle		
	80 – 84	Reset		
	85 – 99	Idle		
	<i>Refresh Rate</i>			
	100	900 Hz		
	101	910 Hz		
	102	920 Hz		
	103	930 Hz		
	104	940 Hz		
	105	950 Hz		
	106	960 Hz		
	107	970 Hz		
	108	980 Hz		
	109	990 Hz		
	110	1000 Hz		
111	1010 Hz			
CONTINUED ON NEXT PAGE				

Channel	Value	Function	Default	Snap
20 (continued from prev page)	<i>Refresh Rate (continued from prev page)</i>		0	Snap
	112	1020 Hz		
	113	1030 Hz		
	114	1040 Hz		
	115	1050 Hz		
	116	1060 Hz		
	117	1070 Hz		
	118	1080 Hz		
	119	1090 Hz		
	120	1100 Hz		
	121	1110 Hz		
	122	1120 Hz		
	123	1130 Hz		
	124	1140 Hz		
	125	1150 Hz		
	126	1160 Hz		
	127	1170 Hz		
	128	1180 Hz		
	129	1190 Hz		
	130	1200 Hz		
	131	1210 Hz		
	132	1220 Hz		
	133	1230 Hz		
	134	1240 Hz		
	135	1250 Hz		
	136	1260 Hz		
	137	1270 Hz		
	138	1280 Hz		
	139	1290 Hz		
	140	1300 Hz		
	141	1310 Hz		
	142	1320 Hz		
	143	1330 Hz		
	144	1340 Hz		
	145	1350 Hz		
	146	1360 Hz		
	147	1370 Hz		
	148	1380 Hz		
	149	1390 Hz		
	150	1400 Hz		
151	1410 Hz			
152	1420 Hz			
153	1430 Hz			
154	1440 Hz			
155	1450 Hz			
156	1460 Hz			
157	1470 Hz			
158	1480 Hz			
159	1490 Hz			
160	1500 Hz			
161	2500 Hz			
<i>CONTINUED ON NEXT PAGE</i>				

Channel	Value	Function	Default	Snap
20 (continued from prev page)	<i>Refresh Rate (continued from prev page)</i>		0	Snap
	162	4000 Hz		
	163	5000 Hz		
	164	6000 Hz		
	165	10000 Hz		
	166	15000 Hz		
	167	20000 Hz		
	168	25000 Hz		
	169 – 200	Idle		
	201 – 210	Dimmer Curve Linear (default)		
	211 – 220	Dimmer Curve Square		
	221 – 230	Dimmer Curve Inverse Square		
	231 – 240	Dimmer Curve S-Curve		
	241	Internal Program 1 (Scene 1 – 8)		
	242	Internal Program 2 (Scene 9 – 16)		
	243	Internal Program 3 (Scene 17 – 24)		
	244	Internal Program 4 (Scene 25 – 32)		
	245	Internal Program 5 (Scene 33 – 40)		
	246	Internal Program 6 (Scene 41 – 48)		
	247	Internal Program 7 (Scene 49 – 56)		
248 – 255	Idle			
21	0 – 255	FX Selection*	0	Snap
22	0 – 255	FX Adjustment	127	Fade
23	<b>FX Offset</b>		0	Snap
	0	Idle		
	1	Fixture Offset, 10°		
	2	Fixture Offset, 20°		
	...	...		
	35	Fixture Offset, 350°		
	36	Synchronized		
	37 – 100	No Function		
	101 – 120	Random Fixture Offset		
	121 – 140	Random Pixel Order		
	141 – 255	Random Steps		

\*Internal FX currently are not implemented.

#### 4-CH HSI MODE

Elation KL Panel DMX Channels / Functions				
Supports Software Versions: 1.03				
Channel	Value	Function	Default	Snap
1	0 – 255	Dimmer Intensity, 0 to 100%	0	
2	0 – 255	Dimmer Fine	0	
3	0 – 255	Hue, 0 to 100%	255	
4	0 – 255	Saturation, 0 to 100%	255	

## 12-CH HSI EXTENDED MODE

Elation KL Panel DMX Channels / Functions				
Supports Software Versions: 1.03				
Channel	Value	Function	Default	Snap
1	<b>Strobe</b>		50	Snap
	0 – 31	Shutter Closed		
	32 – 63	No Function (Shutter Open)		
	64 – 95	Strobe Effect, Slow to Fast		
	96 – 127	No Function (Shutter Open)		
	128 – 159	Pulse Effect in Sequences		
	160 – 191	No Function (Shutter Open)		
	192 – 223	Random Strobe Effect, Slow to Fast		
224 – 255	No Function (Shutter Open)			
2	0 – 255	Dimmer Intensity, 0 to 100%	0	
3	0 – 255	Dimmer Fine	0	
4	0 – 255	Hue, 0 to 100%	255	
5	0 – 255	Saturation, 0 to 100%	255	
6	<b>CCT</b>		0	
	0 – 19	Open		
	20 – 100	CCT 2000K – 10000K (see CCT Table)		
101 – 255	10000K			
7	<b>Color Wheel</b>		0	
	0	Open		
	1 – 179	Virtual Swatch Book (see Virtual Color Table)		
	<i>Color Scroll</i>			
	180 – 201	Clockwise, Fast to Slow		
	202 – 207	Stop		
	208 – 229	Counter-clockwise, Slow to Fast		
	230 – 234	Open		
	<i>Random Color Scroll</i>			
	235 – 239	Fast		
	240 – 244	Medium		
	245 – 249	Slow		
250 – 255	Open			
8	<b>Dim Modes</b>		0	Snap
	0 – 20	Standard		
	21 – 40	Stage		
	41 – 60	TV		
	61 – 80	Architectural		
	81 – 100	Theatre		
	101 – 120	Stage 2		
	<i>Dimmer Delay Time</i>			
	121	0 s		
	122	0.1 s		
	123	0.2 s		
	124	0.3 s		
	125	0.4 s		
	126	0.5 s		
	127	0.6 s		
128	0.7 s			

CONTINUED ON NEXT PAGE

Channel	Value	Function	Default	Snap
8 (continued from prev page)	<i>Dimmer Delay Time (continued from prev page)</i>		0	Snap
	129	0.8 s		
	130	0.9 s		
	131	1.0 s		
	132	1.5 s		
	133	2.0 s		
	134	3.0 s		
	135	4.0 s		
	136	5.0 s		
	137	6.0 s		
	138	7.0 s		
	139	8.0 s		
	140	9.0 s		
	141	10.0 s		
142 – 255	Idle			
9	<b>Control</b>		0	Snap
	0 – 29	Idle		
	30 – 39	Fan Mode Auto		
	40 – 49	Fan Mode Silent		
	50 – 59	Fan Mode High		
	60 – 79	Idle		
	80 – 84	Reset		
	85 – 99	Idle		
	<i>Refresh Rate</i>			
	100	900 Hz		
	101	910 Hz		
	102	920 Hz		
	103	930 Hz		
	104	940 Hz		
	105	950 Hz		
	106	960 Hz		
	107	970 Hz		
	108	980 Hz		
	109	990 Hz		
	110	1000 Hz		
	111	1010 Hz		
	112	1020 Hz		
	113	1030 Hz		
	114	1040 Hz		
	115	1050 Hz		
	116	1060 Hz		
	117	1070 Hz		
	118	1080 Hz		
	119	1090 Hz		
	120	1100 Hz		
	121	1110 Hz		
	122	1120 Hz		
	123	1130 Hz		
124	1140 Hz			
125	1150 Hz			
126	1160 Hz			
<b>CONTINUED ON NEXT PAGE</b>				



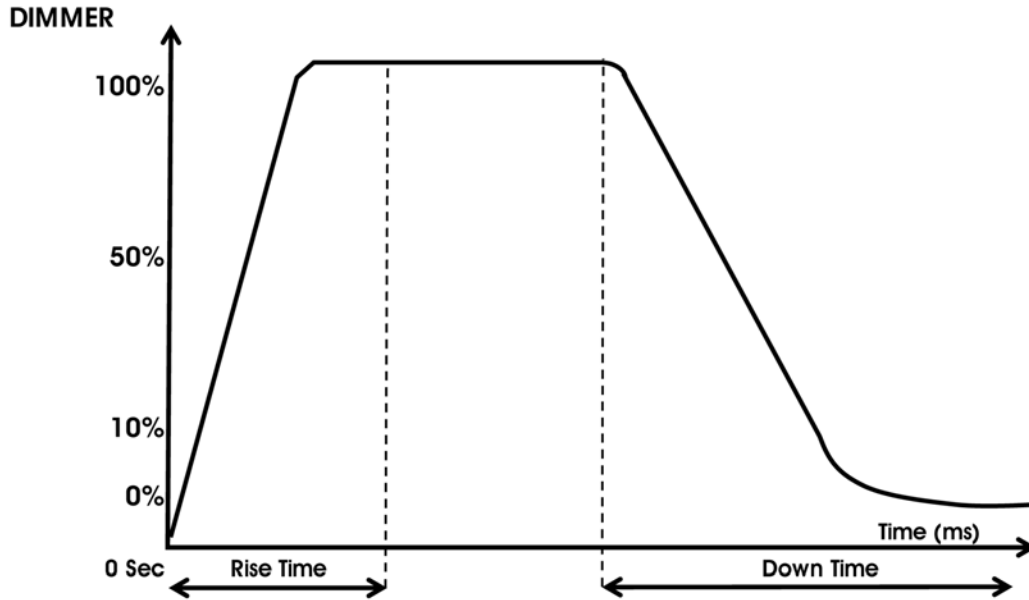
Channel	Value	Function	Default	Snap
9 (continued from prev page)	<i>Dimmer Delay Time (continued from prev page)</i>		0	Snap
	127	1170 Hz		
	128	1180 Hz		
	129	1190 Hz		
	130	1200 Hz		
	131	1210 Hz		
	132	1220 Hz		
	133	1230 Hz		
	134	1240 Hz		
	135	1250 Hz		
	136	1260 Hz		
	137	1270 Hz		
	138	1280 Hz		
	139	1290 Hz		
	140	1300 Hz		
	141	1310 Hz		
	142	1320 Hz		
	143	1330 Hz		
	144	1340 Hz		
	145	1350 Hz		
	146	1360 Hz		
	147	1370 Hz		
	148	1380 Hz		
	149	1390 Hz		
	150	1400 Hz		
	151	1410 Hz		
	152	1420 Hz		
	153	1430 Hz		
	154	1440 Hz		
	155	1450 Hz		
	156	1460 Hz		
	157	1470 Hz		
158	1480 Hz			
159	1490 Hz			
160	1500 Hz			
161	2500 Hz			
162	4000 Hz			
163	5000 Hz			
164	6000 Hz			
165	10000 Hz			
166	15000 Hz			
167	20000 Hz			
168	25000 Hz			
169 – 200	Idle			
201 – 210	Dimmer Curve Linear (default)			
211 – 220	Dimmer Curve Square			
221 – 230	Dimmer Curve Inverse Square			
231 – 240	Dimmer Curve S-Curve			
241	Internal Program 1 (Scene 1 – 8)			
242	Internal Program 2 (Scene 9 – 16)			
243	Internal Program 3 (Scene 17 – 24)			
<b>CONTINUED ON NEXT PAGE</b>				

Channel	Value	Function	Default	Snap
9 (continued from prev page)	244	Internal Program 4 (Scene 25 – 32)	0	Snap
	245	Internal Program 5 (Scene 33 – 40)		
	246	Internal Program 6 (Scene 41 – 48)		
	247	Internal Program 7 (Scene 49 – 56)		
	248 – 255	Idle		
10	0 – 255	FX Selection*	0	Snap
11	0 – 255	FX Adjustment	127	Fade
12	<b>FX Offset</b>		0	Snap
	0	Idle		
	1	Fixture Offset, 10°		
	2	Fixture Offset, 20°		
	...	...		
	35	Fixture Offset, 350°		
	36	Synchronized		
	37 – 100	No Function		
	101 – 120	Random Fixture Offset		
	121 – 140	Random Pixel Order		
	141 – 255	Random Steps		

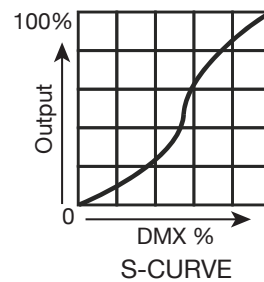
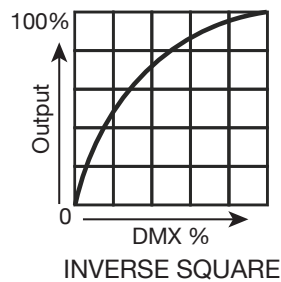
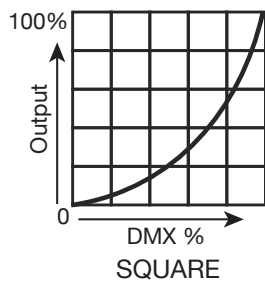
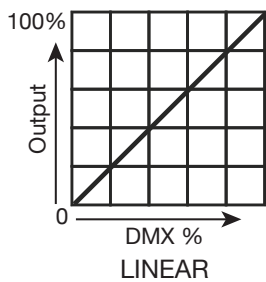
\*Internal FX currently are not implemented.

# DIMMER MODES

Select desired DIMMER MODE (**Standard**, Stage, TV, Architectural, Theatre, Stage2).



Dimming Curve Ramp Effect	0 sec Fade Time		1 sec Fade Time	
	Rise Time (ms)	Down Time (ms)	Rise Time (ms)	Down Time (ms)
Standard (default)	0	0	0	0
Stage	780	1100	1540	1660
TV	1180	1520	1860	1940
Architectural	1380	1730	2040	2120
Theatre	1580	1940	2230	2280
Stage 2	0	1100	0	1660



# CCT TABLE

Elation KL Panel Color Temperature Table			
Value	Color Temp	Value	Color Temp
20	2000 K	61	6100 K
21	2100 K	62	6200 K
22	2200 K	63	6300 K
23	2300 K	64	6400 K
24	2400 K	65	6500 K
25	2500 K	66	6600 K
26	2600 K	67	6700 K
27	2700 K	68	6800 K
28	2800 K	69	6900 K
29	2900 K	70	7000 K
30	3000 K	71	7100 K
31	3100 K	72	7200 K
32	3200 K	73	7300 K
33	3300 K	74	7400 K
34	3400 K	75	7500 K
35	3500 K	76	7600 K
36	3600 K	77	7700 K
37	3700 K	78	7800 K
38	3800 K	79	7900 K
39	3900 K	80	8000 K
40	4000 K	81	8100 K
41	4100 K	82	8200 K
42	4200 K	83	8300 K
43	4300 K	84	8400 K
44	4400 K	85	8500 K
45	4500 K	86	8600 K
46	4600 K	87	8700 K
47	4700 K	88	8800 K
48	4800 K	89	8900 K
49	4900 K	90	9000 K
50	5000 K	91	9100 K
51	5100 K	92	9200 K
52	5200 K	93	9300 K
53	5300 K	94	9400 K
54	5400 K	95	9500 K
55	5500 K	96	9600 K
56	5600 K	97	9700 K
57	5700 K	98	9800 K
58	5800 K	99	9900 K
59	5900 K	100	10000 K
60	6000 K		

# VIRTUAL COLORS TABLE

Elation KL Panel Virtual Colors Table					
Value	Filter #	Name	Value	Filter #	Name
1	7	Pale Yellow	28	113	Magenta
2	103	Straw	29	46	Dark Magenta
3	151	Gold Tint	30	48	Rose Purple
4	100	Spring Yellow	31	126	Mauve
5	10	Medium Yellow	32	49	Medium Purple
6	101	Yellow	33	58	Lavender
7	104	Deep Amber	34	199	Palace Blue
8	15	Deep Straw	35	119	Dark Blue
9	179	Loving Amber	36	132	Medium Blue
10	21	Gold Amber	37	120	Deep Blue
11	105	Orange	38	165	Daylight Blue
12	158	Deep Orange	39	161	Slate Blue
13	22	Dark Amber	40	118	Light Blue
14	778	Millenium Gold	41	68	Sky Blue
15	135	Deep Golden Amber	42	143	Pale Navy Blue
16	24	Scarlet	43	131	Marine Blue
17	106	Primary Red	44	115	Peacock Blue
18	26	Bright Red	45	172	Lagoon Blue
19	27	Medium Red	46	116	Medium Blue Green
20	19	Fire	47	90	Dark Yellow Green
21	157	Pink	48	139	Primary Green
22	36	Medium Pink	49	122	Fern Green
23	111	Dark Pink	50	89	Moss Green
24	128	Bright Pink	51	124	Dark Green
25	148	Bright Rose	52	88	Lime Green
26	332	Special Rose Pink	53	138	Pale Green
27	793	Vanity Fair	54-179		Open

# SPECIFICATIONS

## SOURCE

6-in-1 (Red, Green, Blue, White, Lime, Cyan) LED Array  
50,000 Hour Average LED Life\*

\*Test lab conditions. May vary depending on several factors including but not limited to:  
Environmental Conditions, Power/Voltage, Usage Patterns (On-Off Cycling), Control, and Dimming.

## PHOTOMETRIC DATA

up to 24,000 Total Lumen Output  
100° Half Peak Angle (with diffuser)

## EFFECTS

Variable CCT 2,000K - 10,000K  
Green-shift Adjustment  
Virtual Gel Library  
Variable 16-bit Dimming Curve Modes  
High Speed Electronic Shutter and Strobe  
Remote Adjustable LED Refresh Rate Frequency  
(900-25KHZ)

## CONTROL / CONNECTIONS

9 DMX Channel Modes  
3 Manual Adjustment Encoders  
4 Button Control Panel and OLED Menu Display  
DMX, RDM, Art-NET, sACN Protocol Support  
E-FLY™ Internal Extended Range Wireless DMX Transceiver  
Locking 5pin XLR Connector In/Out  
Locking IP65 Power Connector In/Out  
USB Connection (Firmware Updates, External 5V power for accessories)  
4pin XLR External Battery Connection (battery not included)  
With Wired Digital Communication Network

## SIZE / WEIGHT

Length: 20.8" (528mm)  
Width: 5.5" (140.5mm)  
Height: 12.2" (310mm)  
Height (with yoke): 16.3" (415.2mm)  
Weight: 28.6 lbs. (13 kg)

## ELECTRICAL / THERMAL

AC 100-240V - 50/60Hz  
24-36 VDC (battery operation - battery not included)  
Max Power Consumption 295W  
14°F to 113°F (-10°C to 45°C)

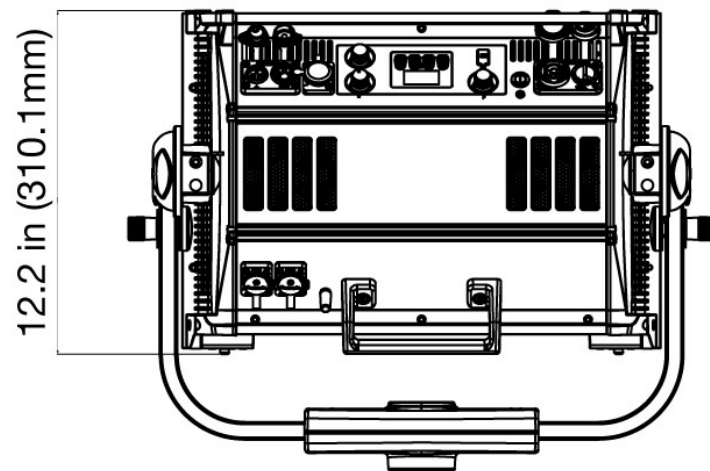
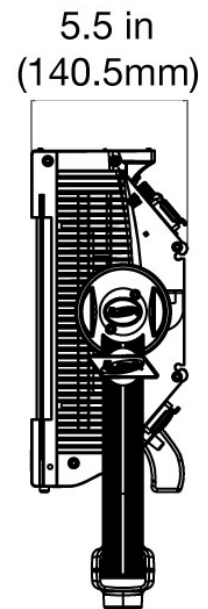
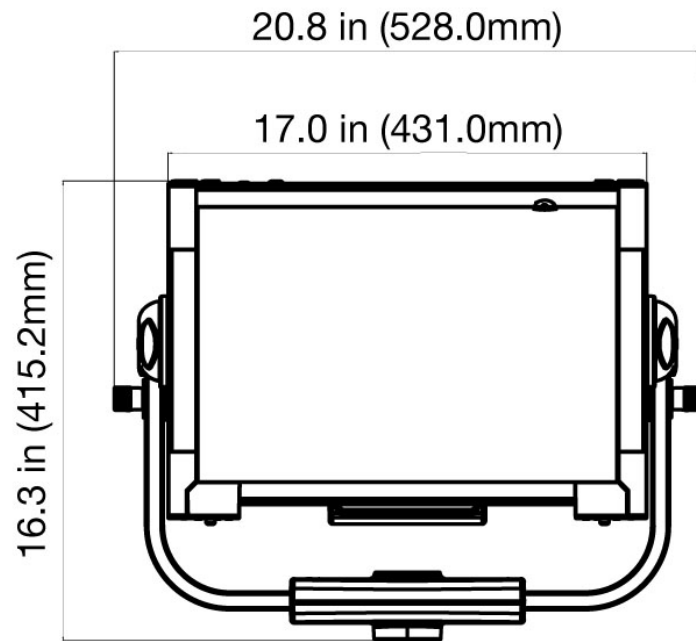
## APPROVALS / RATINGS

CE | cETLus (pending) | IP20

Specifications and improvements in the design of this unit and this manual are subject to change without any prior written notice.

# DIMENSIONAL DRAWINGS

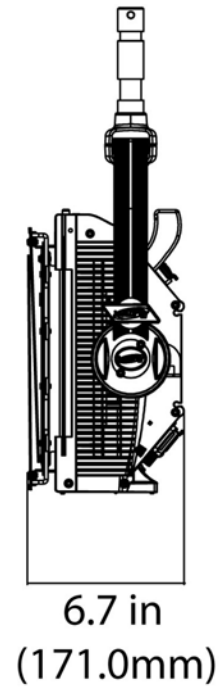
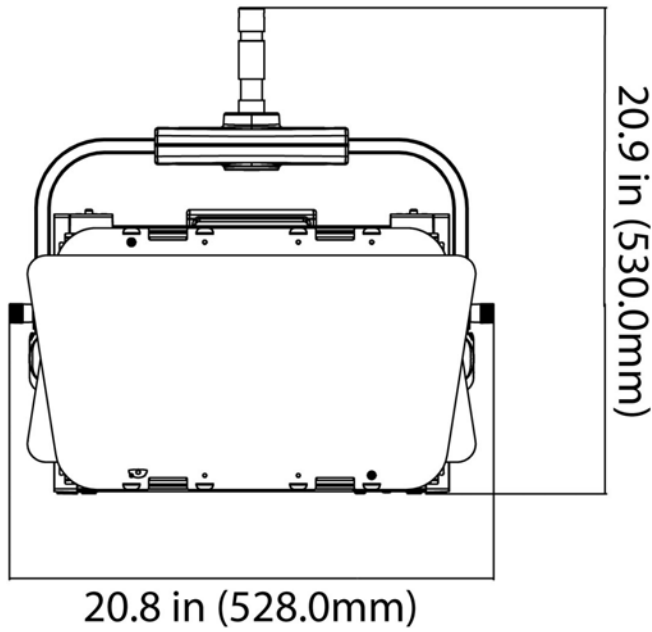
## FIXTURE ONLY



Drawings not to scale.

# DIMENSIONAL DRAWINGS

## BARN DOOR AND JUNIOR PIN INSTALLED



Drawings not to scale.



# FCC STATEMENT

This device complies with Part 15 of the FCC Rules. Operation is subject to the following two conditions: (1) this device may not cause harmful interference, and (2) this device must accept any interference received, including interference that may cause undesired operation.

## **FCC RADIO FREQUENCY INTERFERENCE WARNINGS & INSTRUCTIONS**

This product has been tested and found to comply with the limits as per Part 15 of the FCC Rules. These limits are designed to provide reasonable protection against harmful interference in a residential installation. This device uses and can radiate radio frequency energy and, if not installed and used in accordance with the included instructions, may cause harmful interference to radio communications. However, there is no guarantee that interference will not occur in a particular installation. If this device does cause harmful interference to radio or television reception, which can be determined by turning the device off and on, the user is encouraged to try to correct the interference by one or more of the following methods:

- Reorient or relocate the device.
- Increase the separation between the device and the receiver.
- Connect the device to an electrical outlet on a circuit different from which the radio receiver is connected.
- Consult the dealer or an experienced radio/TV technician for help.

**SKU#:** KLP001  
**EU#:** 1237000224  
**UPC#:** 810008261569