



The KL PANEL™ is a full-color-spectrum LED soft light that provides high output, precise color temperature control, full spectrum color rendering and even wash coverage. Optimized for the tunable white light requirements of Film and Television, it is an ideal key and fill light source for many situations requiring outstanding performance and color quality.

The KL PANEL incorporates a highly efficient 6-in-1 LED package that produces up to 24,000 field lumens at a 100° half-peak angle. Compact and portable, the fixture can be mounted on a stand or suspended using any standard clamp or the included Junior pin adapter. A rugged housing with impact resistant surrounds and base plate ensures the KL Panel can handle the rough handling on today's fast paced sets.

KL Panel

It is fully self-contained without the need for an external power supply. It can also be remotely powered thru its integrated 4-pin XLR 24-36 VDC battery input. The KL Panel can be operated through industry standard DMX, Art-NET or sACN protocols. In addition, it can also be adjusted manually using the included encoders and OLED display, providing instant control of Intensity, Color temperature, Green shift and other important settings. The display and encoders are conveniently positioned on the bottom of the fixture to ensure easy access while the KL Panel is mounted on a stand. The integration of Elation's E-FLY™ wireless system allows for even more flexibility of use.



FEATURES

- 295W RGBWLC (Red, Green, Blue, White, Lime, Cyan) LED Array
- CRI 95, CCT Adjustment from 2,000 to 10,000K
- up to 24,000 Total Lumen Fixture Output
- Internal Power Supply with Power Pass-Through
- 24-36 VDC Battery Operation (battery not included)
- DMX and RDM Support
- Art-NET and sACN compatible with RJ45 passthrough
- E-FLY™ Internal Extended Range Wireless DMX Transceiver
- Stand-Alone Control with 3 Encoders and OLED Display
- Barn Doors, Diffuser, and Junior Pin (1 1/8" - 28mm) Included

PRODUCT SPECIFICATIONS

SOURCE

6-in-1 (Red, Green, Blue, White, Lime, Cyan) LED Array
 50,000 Hour Average LED Life*
 *Test lab conditions. May vary depending on several factors including but not limited to:
 Environmental Conditions, Power/Voltage, Usage Patterns (On-Off Cycling), Control, and Dimming.

PHOTOMETRIC DATA

up to 24,000 Total Lumen Output
 100° Beam Angle (with diffuser)

EFFECTS

Variable CCT 2,000K - 10,000K
 Green-shift Adjustment
 Virtual Gel Library
 Variable 16-bit Dimming Curve Modes
 High Speed Electronic Shutter and Strobe
 Remote Adjustable LED Refresh Rate Frequency (900-25kHz)

CONTROL / CONNECTIONS

9 DMX Channel Modes
 3 Manual Adjustment Encoders
 4 Button Control Panel and OLED Menu Display
 DMX, RDM, Art-NET, sACN Protocol Support
 E-FLY™ Internal Extended Range Wireless DMX Transceiver
 Locking 5pin XLR Connector In/Out
 Locking IP65 Power Connector In/Out
 USB Connection (Firmware Updates, External 5V power for accessories)
 4pin XLR External Battery Connection (battery not included)
 With Wired Digital Communication Network

SIZE / WEIGHT

Length: 20.8" (528mm)
 Width: 5.5" (140.5mm)
 Height: 12.2" (310mm)
 Height (with yoke): 16.3" (415.2mm)
 Weight: 28.6 lbs. (13 kg)

ELECTRICAL / THERMAL

AC 100-240V - 50/60Hz
 24-36 VDC (battery operation - battery not included)
 Max Power Consumption 295W
 14°F to 113°F (-10°C to 45°C)

APPROVALS / RATINGS

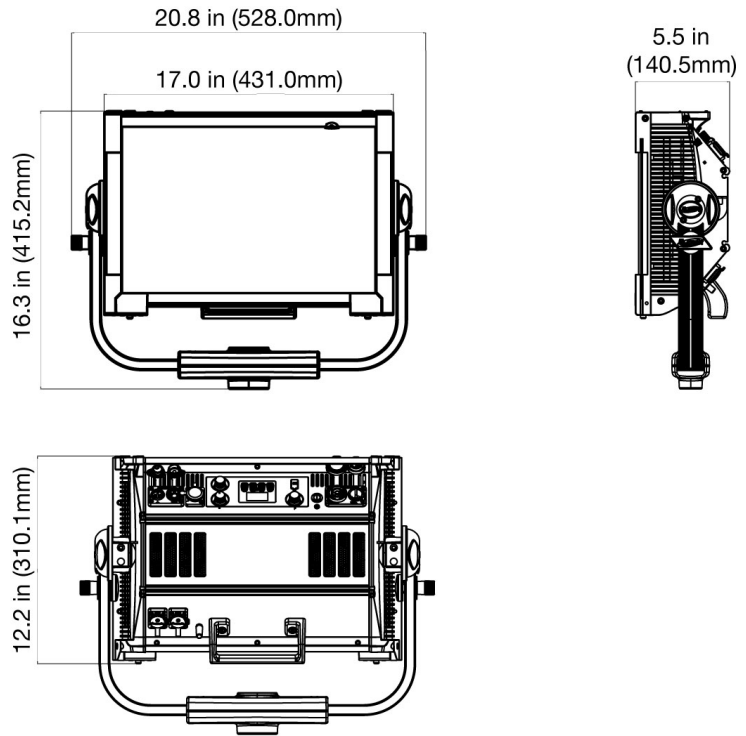
CE | cETLus (pending) | IP20



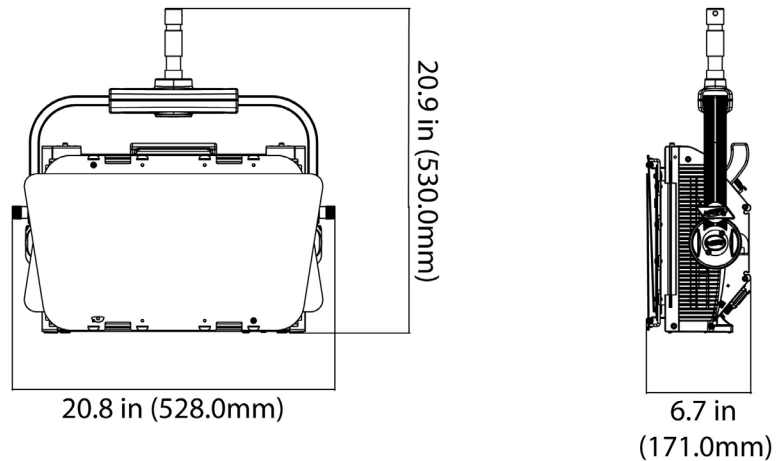
ORDERING INFORMATION

SKU (USA)	SKU (EU)	Description
KLP001	1237000224	KL Panel

DIMENSIONAL DRAWINGS (FIXTURE ONLY)



DIMENSIONAL DRAWINGS (WITH BARN DOOR & JUNIOR PIN)



DRAWINGS NOT TO SCALE

