

TYPICAL WIRING DIAGRAM

ONLINE PAGE DESCRIPTION

- Press "I/h" : The first screen : Displays phase current of three phases.
- Press "I/h" : Displays Run Hour (for non zero poles)
Note : To return back to current page, press "I/h" for 3sec.
- Press "v/r" : The first screen : Displays line to neutral voltage of three phases.
The second screen : Displays line to line voltage of three phases.
Note : For 3 Ø, 3 wire system, only the second screen will be available.
- Press "v/r" : Displays RPM (for non zero poles)
Note : To return back to voltage page, press "v/r" for 3sec.

AUTOMATIC / MANUAL MODE DESCRIPTION

Press A/M button for 3sec. to toggle between Automatic and Manual mode.

NOTE: By default unit operates in automatic mode. In automatic mode online pages scroll automatically at the rate of 5sec. per page. In automatic mode when any key is pressed, unit temporarily switches to manual mode and the appropriate page is displayed, also if no key is pressed for 5 sec., unit resumes automatic mode.

SERIAL NUMBER DESCRIPTION

Press VAF and I/h key for 20sec. to display 8 digit serial number only for 10sec.

CONFIGURATION

There are 3 dedicated keys marked as AIM, ▲, ▼.

Use these 3 keys to enter into configuration menu / change setting.

Note : The settings should be done by a professional, after going through this users manual and after having understood the application situation.

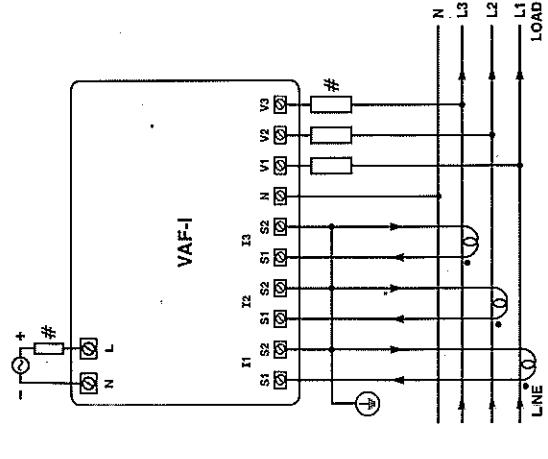
For the configuration setting mode :

- Press ▲ + ▼ key for 3 sec. to enter or exit from the configuration menu.
- Press ▲ or ▼ key to scroll through the setting pages.
- Press AIM + ▼ or AIM + ▲ Keys to decrement or increment (change) the parameter setting.

Config. page	Function	Range or Selection	Factory Setting
1	Network Selection	3P3W and 3P4W	3P4W
2	CT primary	5A or 10.0KA	5
3	PT primary	100V to 500kV	350
4	PT secondary	100V to 500V	350
5	No. of Poles	0 - 98	0
6	Reset Run Hour	Yes / No	No

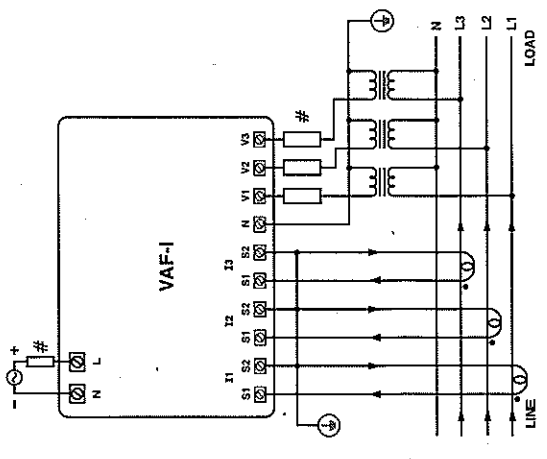
3 Phase - 4 Wire (Commonly Used)

3 Ø - 4 wire, 3 CT's
Network Selection : 3P4W



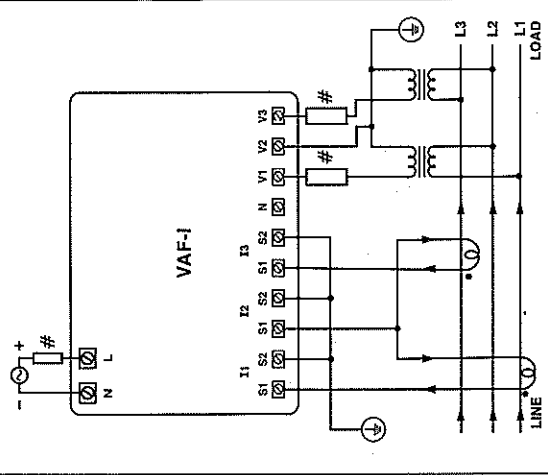
3 Phase - 4 Wire

3 Ø - 4 wire, 3 CT's and 3 PT's
Network Selection : 3P4W



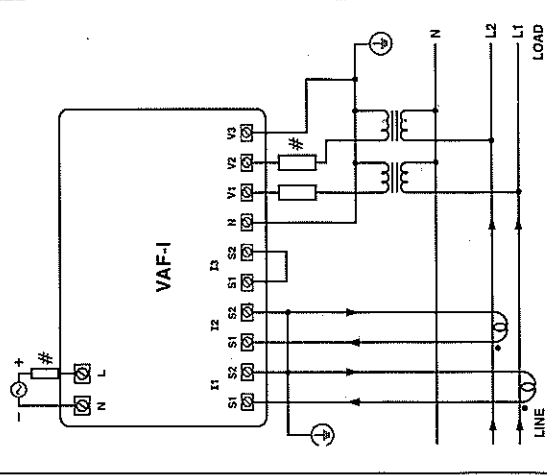
3 Phase - 3 Wire

3 Ø - 3 wire, 2 CT's and 2 PT's
Network Selection : 3P3W



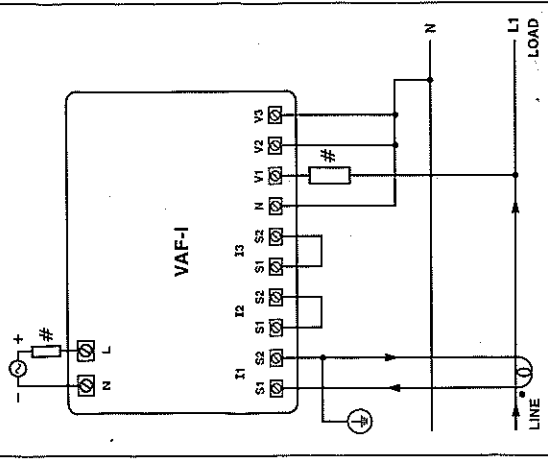
2 Phase - 3 Wire

2 Ø - 3 wire, 2 CT's 2 PT's
Network Selection : 3P4W



1 Phase - 2 Wire

1 Ø - 2 wire, 1 CT
Network Selection : 3P4W



Note : + and - is applicable only for DC Product

(Specifications subject to change as development is a continuous process.)

INDU - ELECTRIC Gerber GmbH
Am Henseisgraben 8
41470 Neuss
Germany
Telefon : +49 2137 - 95010 | Fax : +49 2137 - 77343
Web : www.indu-electric.de | E-mail : info@indu-electric.de