

The V-GSUB datasheet



The V-GSUB is an actively driven high performance cardioid subwoofer powered by a single amplifier channel. The V-GSUB is intended for ground stacked applications only, and share the same acoustical and visual design as the V-SUB, which features integrated rigging equipment. It houses two long excursion neodymium drivers, an 18" driver in a bass-reflex design facing to the front and a 12" driver in a two chamber bandpass design radiating to the rear. The cardioid dispersion pattern resulting from this arrangement avoids unwanted energy behind the system that reduces the excitation of the reverberant field at low frequencies and provides the greatest accuracy of low frequency reproduction.

The cabinet is constructed from marine plywood and has an impact and weather protected PCP (Polyurea Cabinet Protection) finish. The front of the loudspeaker cabinet is protected by a rigid metal grill backed by an acoustically transparent foam. The V-GSUB top panel has a recess in the form of the footprint of a V7P/V10P enclosure to prevent cabinet movement when stacking one TOP loudspeaker. The enclosure features two runners to protect the bottom panel from scratching. Two correspondingly shaped recesses are incorporated into the top panel of each V-GSUB cabinet to accept these runners, preventing cabinet movement when stacked. Each side of the V-GSUB panel incorporates two handles whilst the top panel has an M20 high stand flange inserted.

d&b amplifiers

The d&b audiotechnik loudspeaker range is designed exclusively for operation with d&b amplifiers. These provide power as well as comprehensive control and protection functions tailored to achieve the performance, reliability and longevity associated with the d&b System approach. The d&b D80 amplifier is recommended to drive the V-GSUB. The d&b D20, 30D and D12 amplifiers can also be used with the appropriate loudspeaker configuration selected.

System data

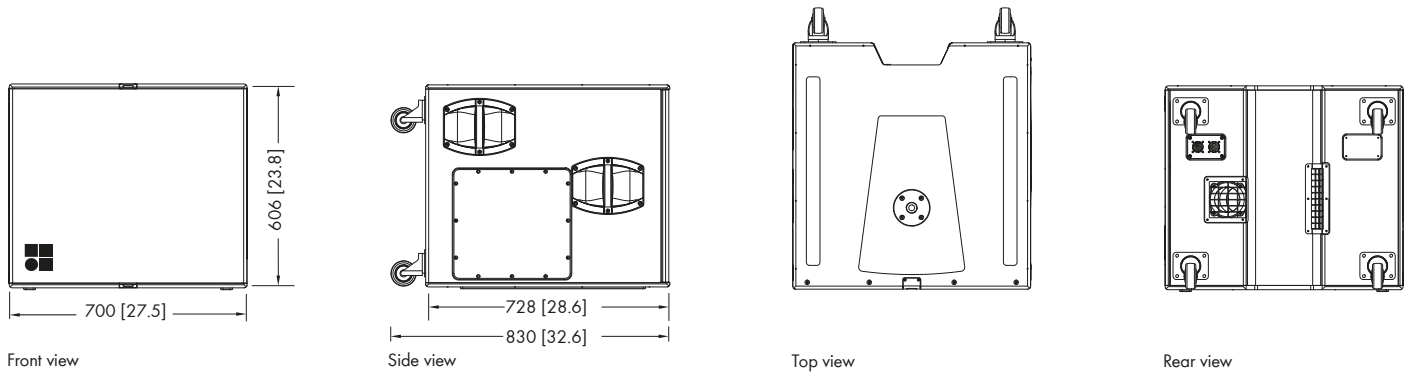
Frequency response (-5 dB standard).....	37 Hz - 115 Hz
Frequency response (-5 dB 100 Hz mode).....	37 Hz - 95 Hz
Max. sound pressure (1 m, free field) ¹	
with D12/30D/D20	133 dB
with D80	137 dB

Loudspeaker data

Nominal impedance.....	8 ohms
Power handling capacity (RMS/peak 10 msec)	800/3200 W
Components	1 x 18" driver
.....	1 x 12" driver
Connections	2 x NLT4 F/M
.....	optional 2 x NL4 or 2 x EP5
Weight.....	61kg (135lb)

¹ Broadband measurement, pink noise, crest factor 4, peak measurement, linear weighting

The V-GSUB datasheet



V-GSUB cabinet dimensions in mm [inch]

Features and benefits

- High performance cardioid subwoofer intended for ground stacked applications
- Driven by a single amplifier channel
- Actively driven 18" driver in a bass-reflex design facing to the front and a 12" driver in a two chamber bandpass design radiating to the rear
- Stacking recess in the footprint of a V7P/V10P cabinet to prevent movement when stacked
- Same acoustic and visual design as the flyable d&b V-SUB
- Vi-GSUB installation specific cabinet option
- Highest SPL at lowest distortion

Applications

- Mobile music and live program reinforcement
- Theatrical sound reinforcement
- Concert halls
- Live performance venues
- Night clubs
- Houses of Worship

Architectural specifications

The loudspeaker shall be an integrated cardioid subwoofer consisting of a 18" driver in a bass-reflex design radiating to the front and a 12" driver in a two chamber bandpass design radiating to the rear, with both drivers to be powered by a single amplifier channel. The loudspeaker shall only be operated by a dedicated, compatible controller amplifier.

The cabinet enclosure shall be made from marine plywood with an impact and weather protected PCP (Polyurea Cabinet Protection) finish. The drivers shall be protected by a rigid metal grill backed by an acoustically transparent foam. The cabinet shall incorporate two handles in each side panel and four transport wheels at the cabinet's rear.

The connection panel on the back shall be recessed and fitted with speakon NLT4 F/M sockets (NL4 M or EP5 connectors as an option).

The power handling capacity shall be 800 W RMS and 3200 W peak (10 ms). The frequency response (-5 dB) measured on axis shall be 37 Hz to 115 Hz with a maximum sound pressure of at least 137 dB.

The dimensions (W x H x D) shall not exceed 700 x 606 x 728 mm (27.5" x 23.8" x 28.6") and shall weigh no more than 61 kg (135 lb).

The loudspeaker shall be the V-GSUB by d&b audiotechnik GmbH.